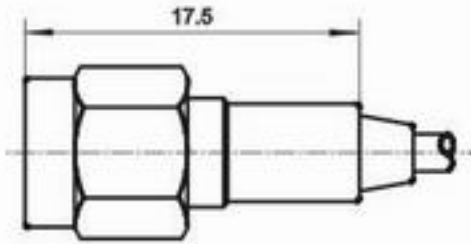


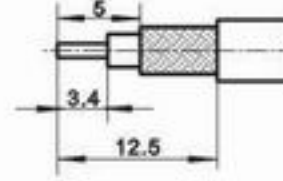
# SMA

系列射频同轴连接器  
SERIES SMA COAXIAL CONNECTORS

SRT 升瑞科技  
SUNRISE-TECH

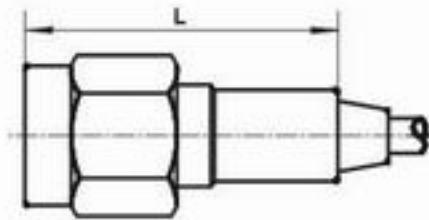


电缆剥线尺寸  
Cable stripping dimensions

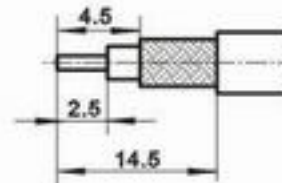


Type	Cable type
SMA-J3	SFF-50-1.5-1 SYV-50-2-1

SMA-J3

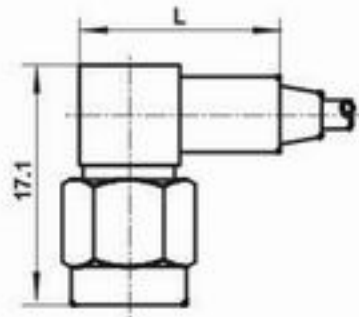


电缆剥线尺寸  
Cable stripping dimensions

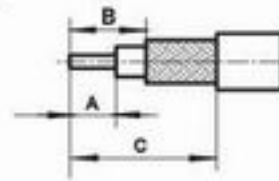


Type	L	Cable type	
SMA-J4	21.7	SFF-50-2-2 SYV-50-2-2	
SMA-J5	23.5	SFF-50-3 SYV-50-3-1	
SMA-J4B	21.7	SFF-50-2-2 SYV-50-2-2	插针为铜制
SMA-J5B	23.5	SFF-50-3 SYV-50-3-1	插针为铜制
SMA-J5A	23.5	SFF-50-3 SYV-50-3-1	插座外壳 不锈钢镀金

SMA-J4等

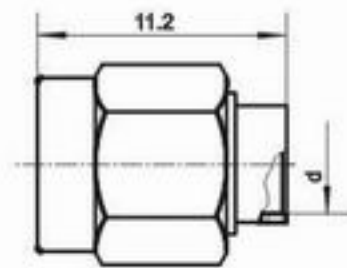


电缆剥线尺寸  
Cable stripping dimensions

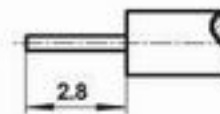


Type	L	A	B	C	Cable type
SMA-JW2	13.0	2.7	4.6	8.5	SFF-50-1 SYV-50-1
SMA-JW3	13.0	2.7	4.6	8.5	SFF-50-1.5-1 SYV-50-2-1
SMA-JW4	16.0	2.7	5.2	15.5	SFF-50-2-2 SYV-50-2-2
SMA-JW5	18.0	2.7	5.2	15.5	SFF-50-3-1 SYV-50-3

SMA-JW2等

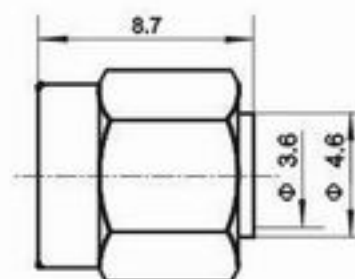


电缆剥线尺寸  
Cable stripping dimensions

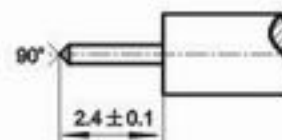


Type	d	Cable type
SMA-JB2	Φ2.2	SFT-50-2-1
SMA-JB3	Φ3.6	SFT-50-3-1

SMA-JB2等



电缆剥线尺寸  
Cable stripping dimensions



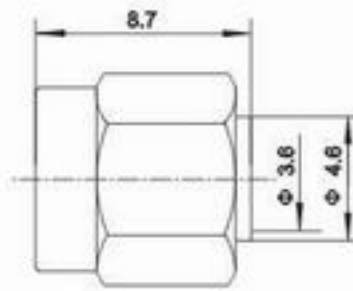
Type	Cable type	备注
SMA-JB3A	SFT-50-3-1	无插针

SMA-JB3A

# SMA

系列射频同轴连接器  
SERIES SMA COAXIAL CONNECTORS

SRT 升瑞科技  
SUNRISE-TECH

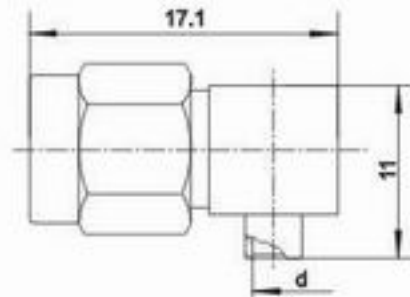


电缆剥线尺寸  
Cable stripping dimensions

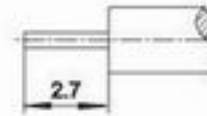


Type	Cable type	备注
SMA-JB3B	SFT-50-3-1	无插针 可退螺套

SMA-JB3B

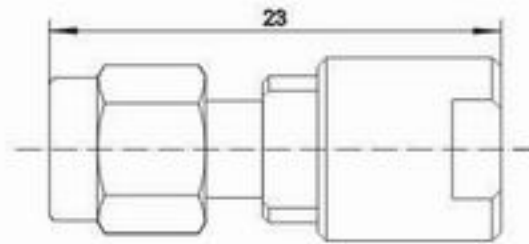


电缆剥线尺寸  
Cable stripping dimensions



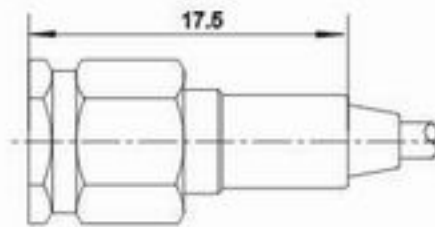
Type	d	Cable type
SMA-JWB2	Φ2.2	SFT-50-2-1
SMA-JWB3	Φ3.6	SFT-50-3-1

SMA-JWB2等

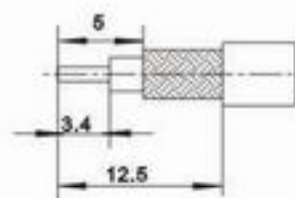


Type	Cable type
SMA-J301	SFF50-1.5-1 SYV50-2-1
SMA-J401	SFF50-2-2 SYV50-2-2
SMA-J501	SFF50-3-1 SYV50-3

SMA-J301 等

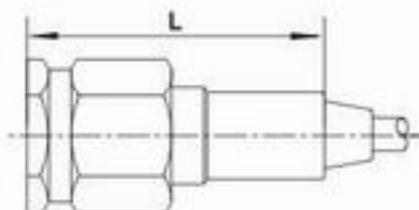


电缆剥线尺寸  
Cable stripping dimensions

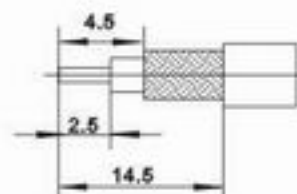


Type	Cable type
SMA-JC3	SFF-50-1.5-1 SYV-50-2-1

SMA-JC3



电缆剥线尺寸  
Cable stripping dimensions



Type	L	Cable type
SMA-JC4	21.7	SFF-50-2-2 SYV-50-2-2
SMA-JC5	23.5	SFF-50-3 SYV-50-3-1

SMA-JC4等

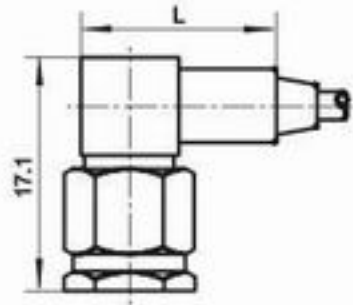
# SMA

系列射频同轴连接器  
SERIES SMA COAXIAL CONNECTORS

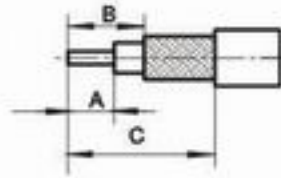
SRT 升瑞科技  
SUNRISE-TECH



SMA-JWC3等



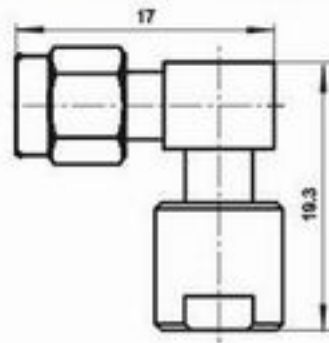
电缆剥线尺寸  
Cable stripping dimensions



Type	L	A	B	C	Cable type
SMA-JWC2	13.0	2.7	4.6	8.5	SFF-50-1 SYV-50-1
SMA-JWC3	13.0	2.7	4.6	8.5	SFF-50-1.5-1 SYV-50-2-1
SMA-JWC4	16.0	2.7	5.2	15.5	SFF-50-2-2 SYV-50-2-2
SMA-JWC5	18.0	2.7	5.2	15.5	SFF-50-3-1 SYV-50-3



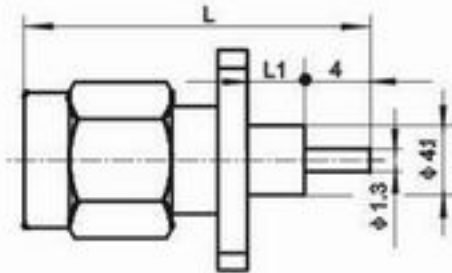
SMA-JW301



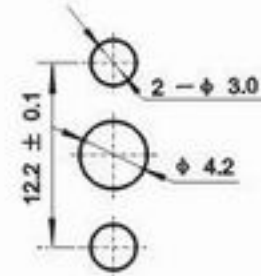
Type	Cable type
SMA-JW301	SUV-50-3-5



SMA-JFD等



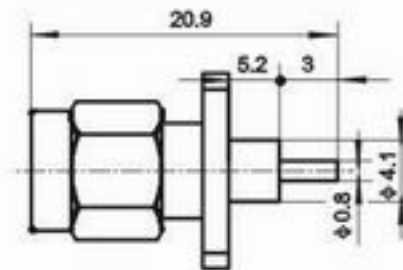
安装开孔尺寸  
Mounting hole



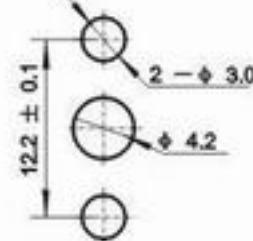
Type	L	L1
SMA-JFD	25.4	8.6
SMA-JFD23	18.7	2.0



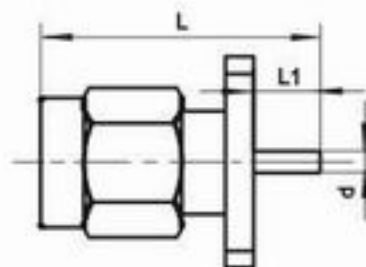
SMA-JFD28



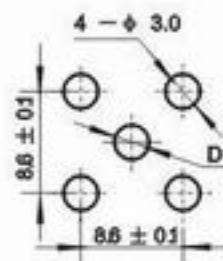
安装开孔尺寸  
Mounting hole



SMA-JFD10等



安装开孔尺寸  
Mounting hole



Type	L	L1	d	D
SMA-JFD10	16.9	4.0	φ1.3	φ2.9
SMA-JFD24	14.5	1.6	φ0.9	φ2.1
SMA-JFD25	14.1	1.2	φ0.8	φ1.8
SMA-JFD25A	13.8	0.9	φ0.5	φ1.2

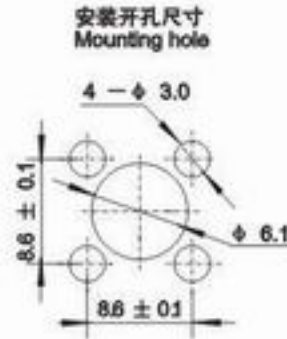
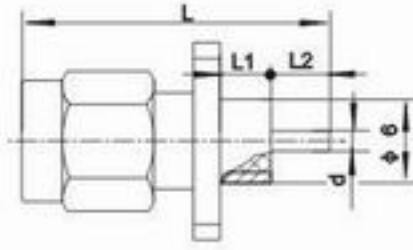
# SMA

系列射频同轴连接器  
SERIES SMA COAXIAL CONNECTORS

SRT 升瑞科技  
SUNRISE-TECH



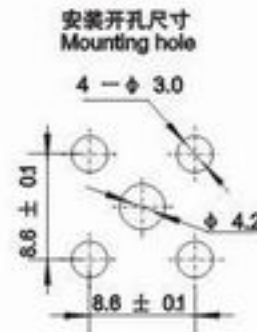
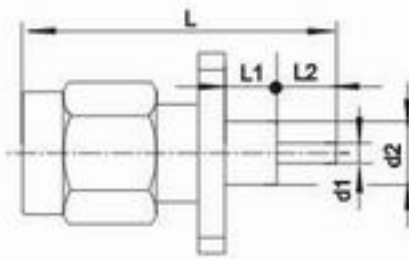
SMA-JFD18等



Type	L	L1	L2	d
SMA-JFD18	19.1	3.2	3.0	φ1.3
SMA-JFD19	19.4	4.0	2.5	φ1.3



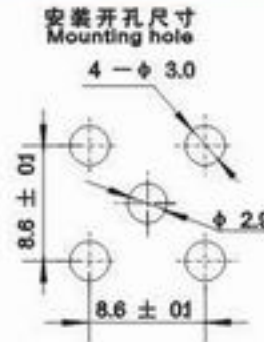
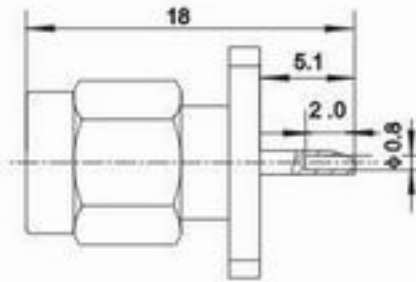
SMA-JFD11等



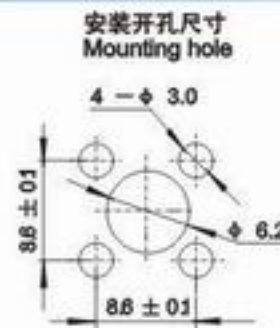
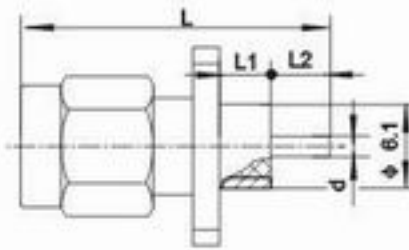
Type	L	L1	L2	d1	d2
SMA-JFD11	18.9	2.4	4.0	φ1.3	φ4.1
SMA-JFD12	23.3	8.4	2.0	φ1.3	φ4.1
SMA-JFD13	25.3	8.4	4.0	φ1.3	φ4.1
SMA-JFD14	17.4	4.0	0.6	φ0.4	φ4.1
SMA-JFD34	25.0	8.4	4.0	φ1.3	φ4.1
SMA-JFD35	25.0	5.0	4.5	φ1.3	φ4.1
SMA-JFD37	22.4	7.5	2.0	φ0.4	φ4.1



SMA-JFD6



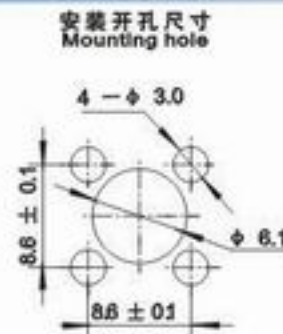
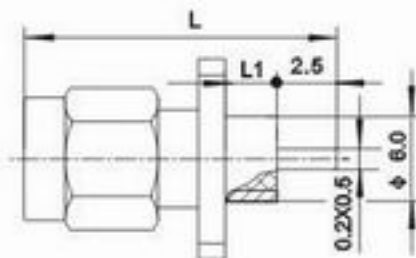
SMA-JFD27等



Type	L	L1	L2	d
SMA-JFD27	18.0	2.4	2.5	φ1.0
SMA-JFD30	17.4	3.0	1.5	φ0.7



SMA-JFD1等

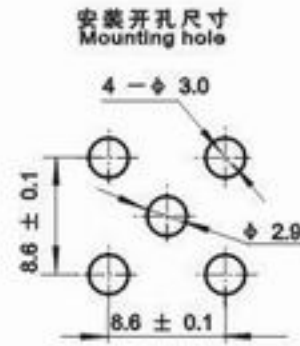
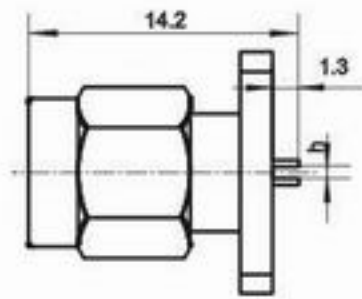


Type	L	L1
SMA-JFD1	17.8	2.4
SMA-JFD2	18.6	3.2
SMA-JFD3	20.2	4.8
SMA-JFD4	19.4	4.0

# SMA

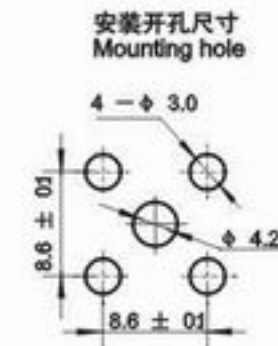
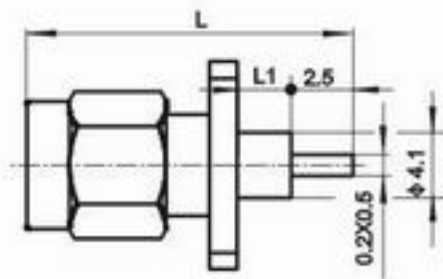
系列射频同轴连接器  
SERIES SMA COAXIAL CONNECTORS

SRT 升瑞科技  
SUNRISE-TECH



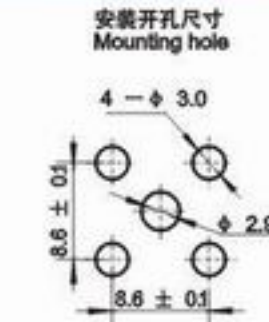
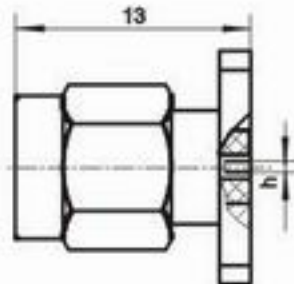
Type	h
SMA-JFD5	0.5
SMA-JFD9	0.2

SMA-JFD5等



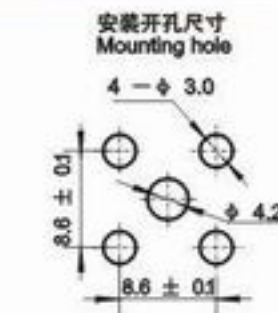
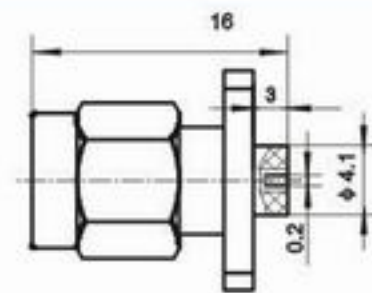
Type	L	L1
SMA-JFD7	18.6	3.2
SMA-JFD8	19.4	4.0
SMA-JFD21	17.9	2.4

SMA-JFD7等

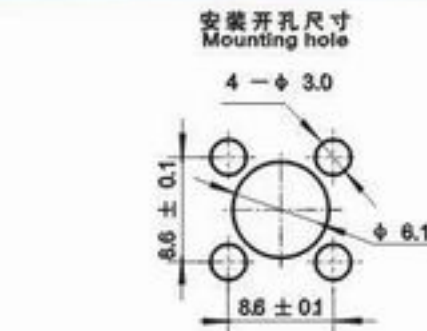
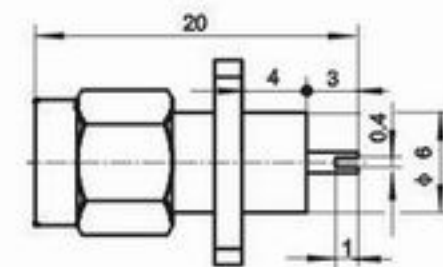


Type	h
SMA-JFD15	0.2
SMA-JFD16	0.4

SMA-JFD15等



SMA-JFD17



SMA-JFD20

www.sunrise-tech.hk Tel:+86-755-83324735 Fax:+86-755-83324732 Email:sales@sunrise-tech.hk

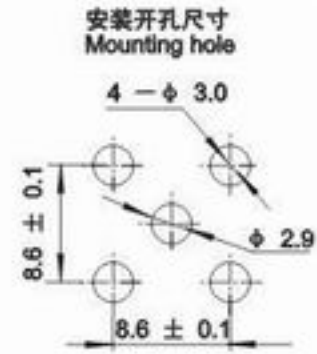
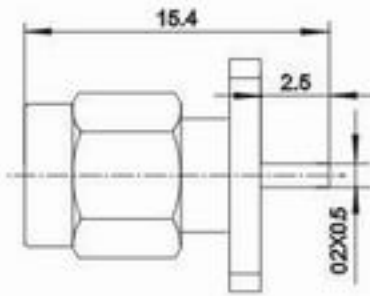
# SMA

系列射频同轴连接器  
SERIES SMA COAXIAL CONNECTORS

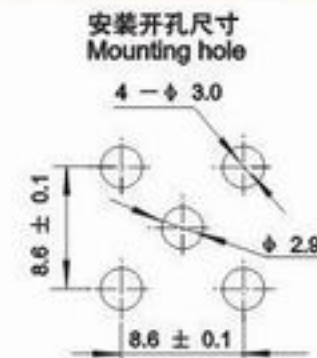
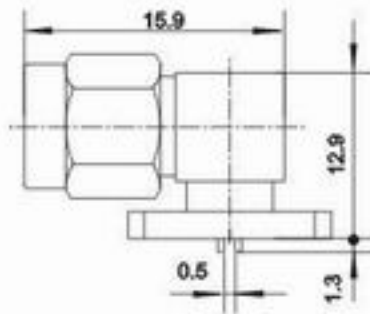
SRT 升瑞科技  
SUNRISE-TECH



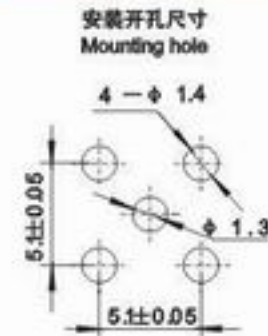
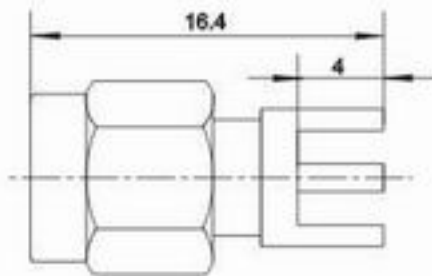
SMA-JFD33



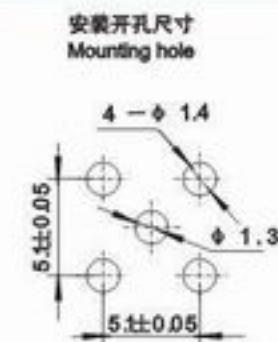
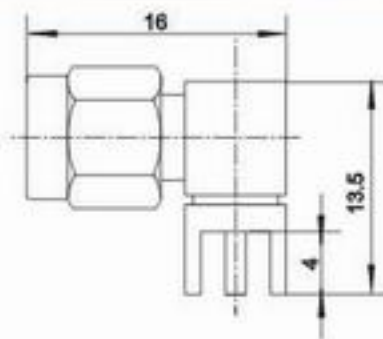
SMA-JWFD



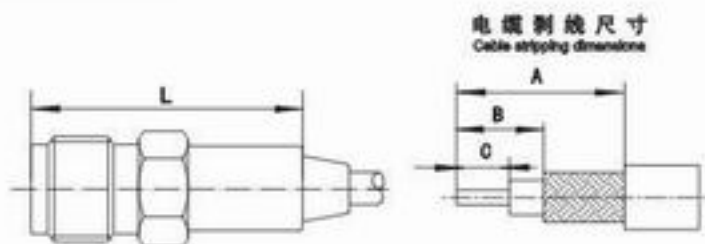
SMA-JHD



SMA-JWHD



SMA-K3等

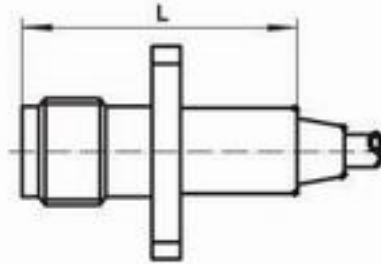


Type	L	A	B	C	Cable type
SMA-K3	17	2.7	4.6	8.7	SFF-50-1.5-1、SYV-50-2-1
SMA-K4	20	2.5	4.2	14.0	SFF-50-2-2、SYV-50-2-2
SMA-K5	22	2.5	4.2	14.0	SFF-50-3、SYV-50-3-1

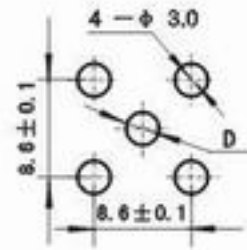
# SMA

系列射频同轴连接器  
SERIES SMA COAXIAL CONNECTORS

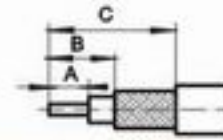
SRT 升瑞科技  
SUNRISE-TECH



安装开孔尺寸  
Mounting hole

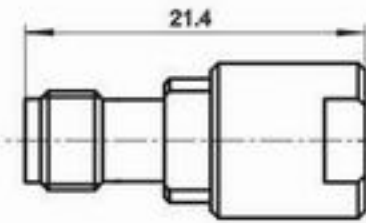


电缆剥线尺寸  
Cable stripping dimensions



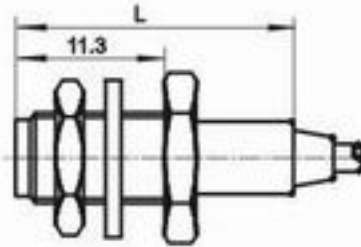
Type	A	B	C	D	L	Cable type
SMA-KF3	2.7	4.6	8.7	Φ5.5	17	SFF-50-1.5-1、SYV-50-2-1
SMA-KF4	2.5	4.2	14.0	Φ6.2	20	SFF-50-2-2、SYV-50-2-2
SMA-KF5	2.5	4.2	14.0	Φ7.2	22	SFF-50-3、SYV-50-3-1

SMA-KF3等

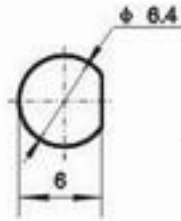


Type	Cable type
SMA-K301	SUV-50-3-5

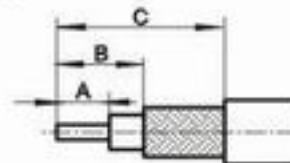
SMA-K301



安装开孔尺寸  
Mounting hole

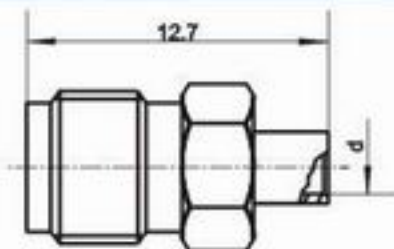


电缆剥线尺寸  
Cable stripping dimensions



Type	L	Cable type	电缆剥线 尺寸同上
SMA-KY3	18.8	SFF-50-1.5-1 SYV-50-2-1	
SMA-KY4	21.2	SFF-50-2-2 SYV-50-2-2	
SMA-KY5	23.2	SFF-50-3-1 SYV-50-3	

SMA-KY3 等

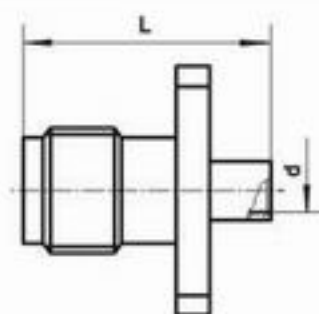


电缆剥线尺寸  
Cable stripping dimensions

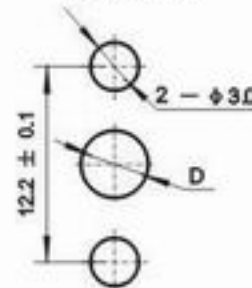


Type	d	Cable type
SMA-KB2	Φ 2.2	SFT-50-2-1
SMA-KB3	Φ 3.6	SFT-50-3-1

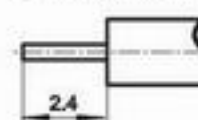
SMA-KB2等



安装开孔尺寸  
Mounting hole



电缆剥线尺寸  
Cable stripping dimensions



Type	d	D	L	Cable type
SMA-KFB2	Φ2.2	Φ3.5	12.7	SFT-50-2-1
SMA-KFB3	Φ3.6	Φ5.0	14.2	SFT-50-3-1

SMA-KFB2等

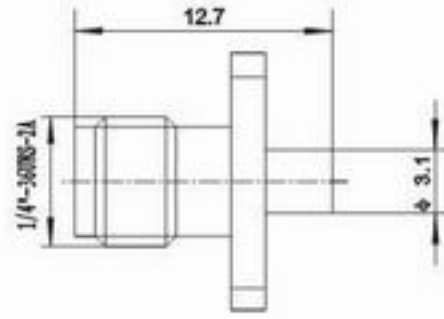
# SMA

系列射频同轴连接器  
SERIES SMA COAXIAL CONNECTORS

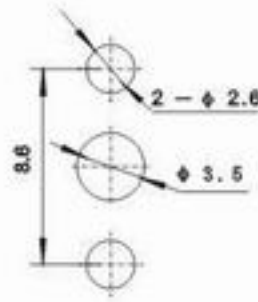
SRT 升瑞科技  
SUNRISE-TECH



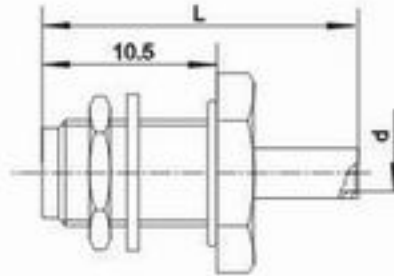
SMA-KFB2A



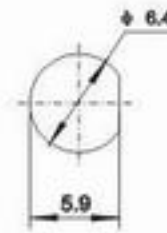
安装开孔尺寸  
Mounting hole



SMA-KYB2等



安装开孔尺寸  
Mounting hole



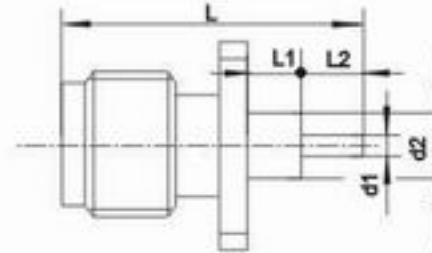
电缆剥线尺寸  
Cable stripping dimensions



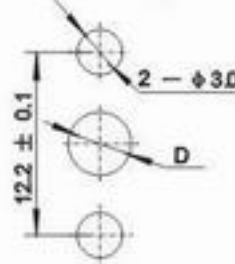
Type	d	L1	Cable type
SMA-KYB2	φ2.2	19	SFT-50-2-1
SMA-KYB3	φ3.6	19	SFT-50-3-1
SMA-KYB3A	φ3.6	15.9	SFT-50-3-1



SMA-KFD3等



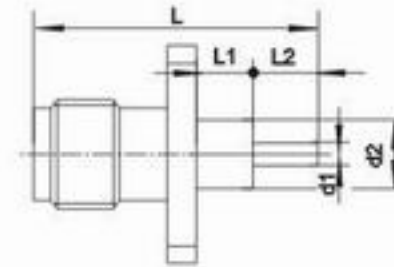
安装开孔尺寸  
Mounting hole



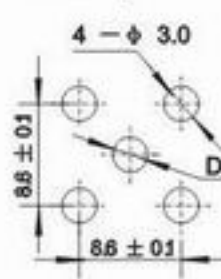
Type	L	L1	L2	d1	d2	D
SMA-KFD3	27.4	15.0	3.0	φ1.3	φ4.1	φ4.2
SMA-kFD21	15.5	2.0	4.0	φ1.3	φ4.1	φ4.2
SMA-KFD46	16.5	4.0	3.0	φ1.3	φ4.1	φ4.2
SMA-kFD57	17.4	5.0	3.0	φ1.3	φ0.8	φ4.2
SMA-KFD64	27.4	15.0	3.0	φ1.3	φ4.1	φ4.2
SMA-kFD77	15.6	2.0	4.0	φ1.3	φ4.1	φ4.2
SMA-KFD84	15.6	3.0	3.0	φ1.3	φ4.1	φ4.2
SMA-kFD102	17.6	5.0	3.0	φ1.3	φ4.1	φ4.2



SMA-KFD5等



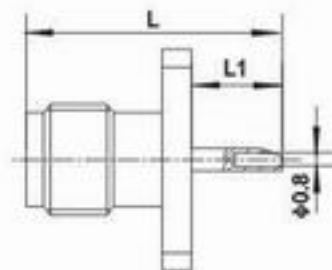
安装开孔尺寸  
Mounting hole



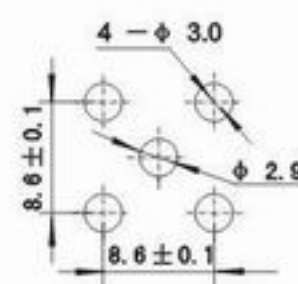
Type	L	L1	L2	d1	d2	D
SMA-KFD5	15.5	4.0	2.0	φ1.3	φ4.1	φ4.2
SMA-kFD6	20.5	9.0	2.0	φ1.3	φ4.1	φ4.2
SMA-KFD22	27.4	15	3.0	φ1.3	φ4.1	φ4.2
SMA-kFD23	14.1	4.0	0.6	φ1.3	φ4.1	φ4.2
SMA-KFD43	21.5	4.0	8.0	φ1.3	φ4.1	φ4.2
SMA-kFD83	14.5	2.4	2.5	φ1.3	φ4.1	φ4.2
SMA-KFD85	27.4	13	5.0	φ1.3	φ4.1	φ4.2
SMA-kFD91	24.2	1.6	13.1	φ1.3	φ4.1	φ4.2
SMA-KFD101	27.4	15	3.0	φ1.3	φ4.1	φ4.2
SMA-kFD103	19.0	7.5	2.0	φ1.3	φ4.1	φ4.2



SMA-KFD65等



安装开孔尺寸  
Mounting hole



Type	L	L1
SMA-KFD	14.7	5.1
SMA-KFD65	12.5	3.0



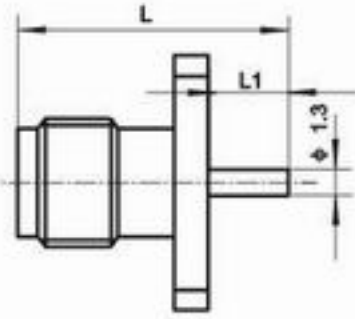
# SMA

系列射频同轴连接器  
SERIES SMA COAXIAL CONNECTORS

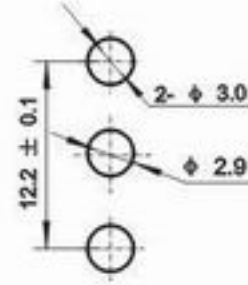
SRT 升瑞科技  
SUNRISE-TECH



SMA-KFD51



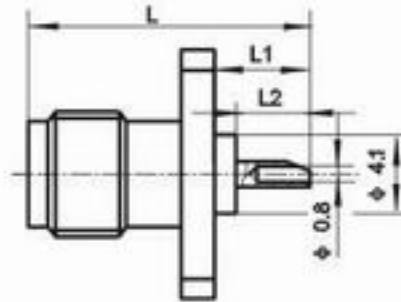
安装开孔尺寸  
Mounting hole



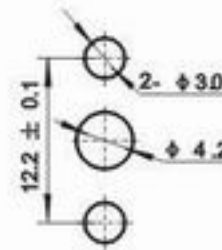
Type	L	L1
SMA-KFD51	12.0	2.5



SMA-KFD17



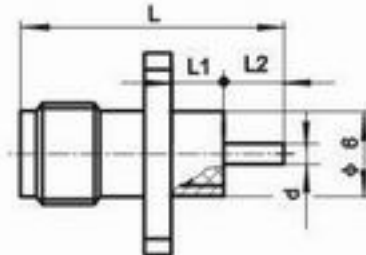
安装开孔尺寸  
Mounting hole



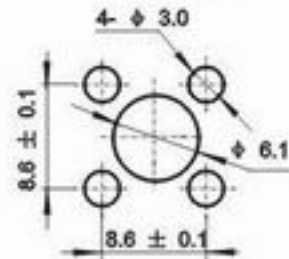
Type	L	L1	L2
SMA-KFD17	14.7	5.2	4.1
SMA-KFD86	14.7	0	5.1
SMA-KFD100	16.5	4	3



SMA-KFD19等



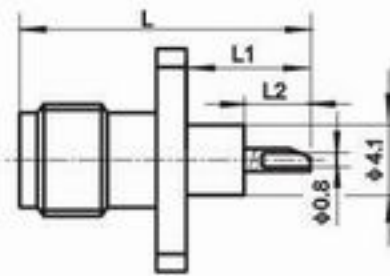
安装开孔尺寸  
Mounting hole



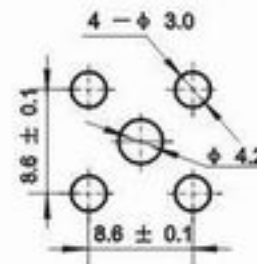
Type	L	L1	L2	d
SMA-KFD19	15.5	4.0	2.0	Φ1.3
SMA-KFD29	15.7	3.2	3.0	Φ1.3
SMA-KFD54	14.5	2.4	2.5	Φ1.0
SMA-KFD76	14.0	3.0	1.5	Φ0.7
SMA-KFD95	15.1	4.0	1.5	Φ0.8



SMA-KFD40等



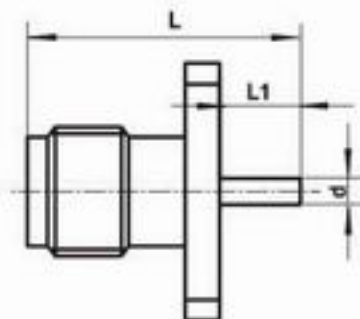
安装开孔尺寸  
Mounting hole



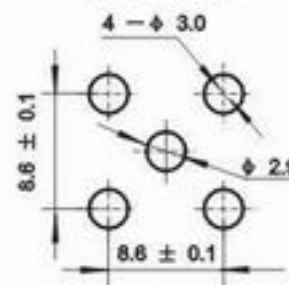
Type	L	L1	L2
SMA-KFD40	16.5	7.0	3.0
SMA-KFD80	14.7	5.1	2.8



SMA-KFD47等



安装开孔尺寸  
Mounting hole

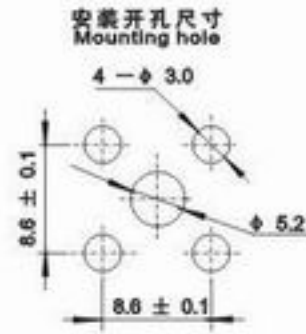
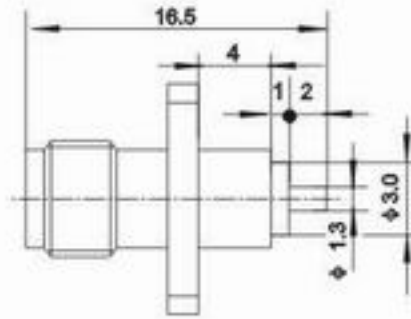


Type	L	L1	d
SMA-KFD47	11.1	1.6	Φ0.9
SMA-KFD48	10.7	1.2	Φ0.8
SMA-KFD48A	10.4	0.9	Φ0.8
SMA-KFD76	11.0	1.5	Φ0.7
SMA-KFD88	14.1	1.5	Φ0.8

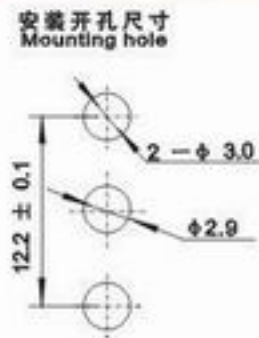
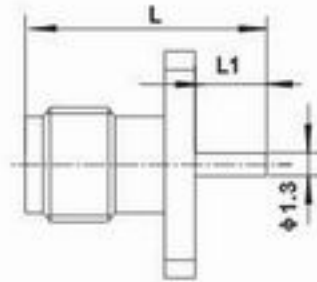
# SMA

系列射频同轴连接器  
SERIES SMA COAXIAL CONNECTORS

SRT 升瑞科技  
SUNRISE-TECH

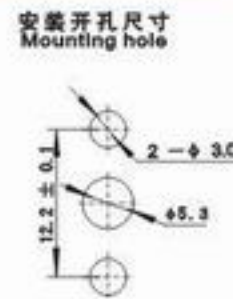
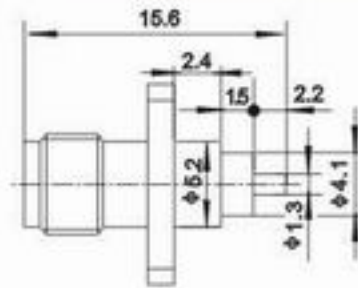


SMA-KFD7

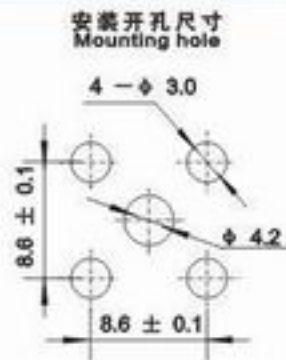
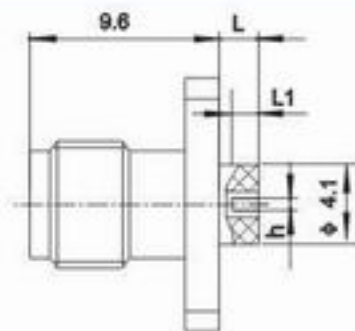


Type	L	L1
SMA-KFD20	13.5	4.0

SMA-KFD20

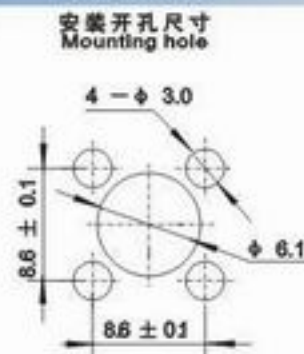
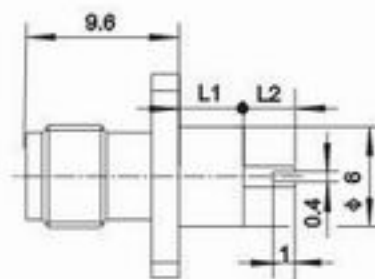


SMA-KFD24



Type	h	L	L1
SMA-KFD15	0.4	2.0	2.0
SMA-KFD28	0.2	3.0	2.5

SMA-KFD15等



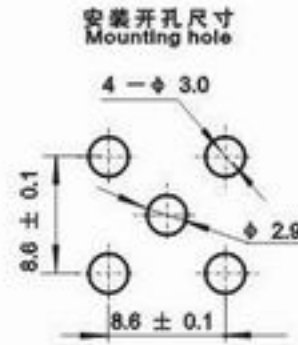
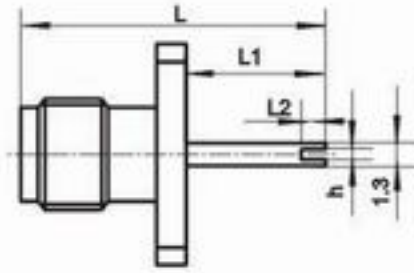
Type	L1	L2
SMA-KFD30	4.0	3.0
SMA-KFD34	1.0	1.0

SMA-KFD30等

# SMA

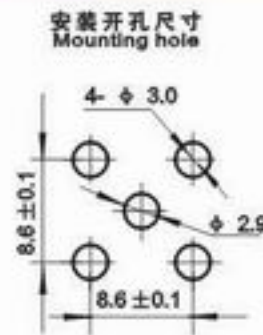
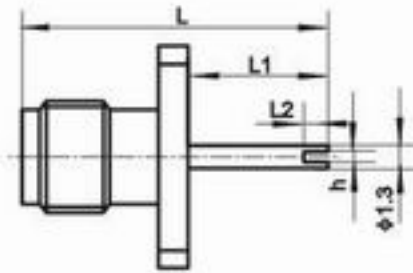
系列射频同轴连接器  
SERIES SMA COAXIAL CONNECTORS

SRT 升瑞科技  
SUNRISE-TECH



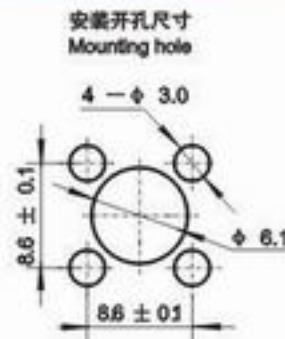
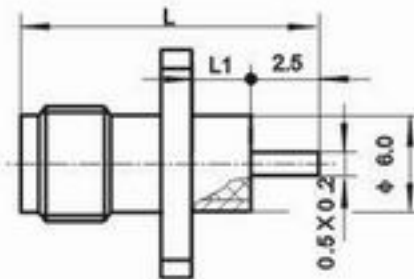
Type	L	L1	L2	h
SMA-KFD1	17.5	8.0	1.4	0.6
SMA-KFD2	12.0	2.4	1.6	0.6
SMAKFD18	12.1	2.5	1.6	0.2

SMA-KFD1等



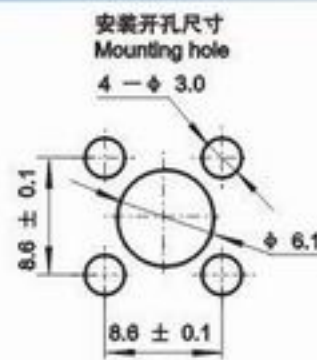
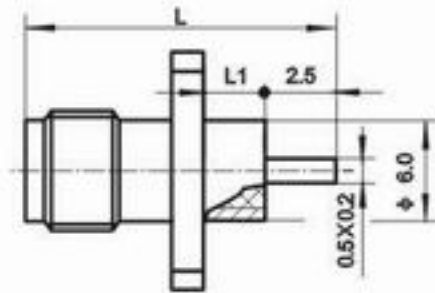
Type	L	L1	L2	h
SMA-KFD35	10.6	1.0	1.0	0.4
SMA-KFD38	10.6	1.0	1.0	0.2

SMA-KFD35等



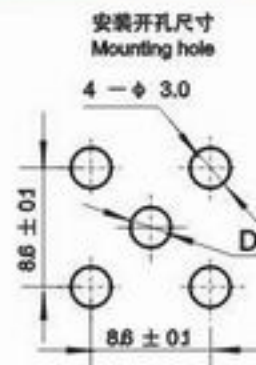
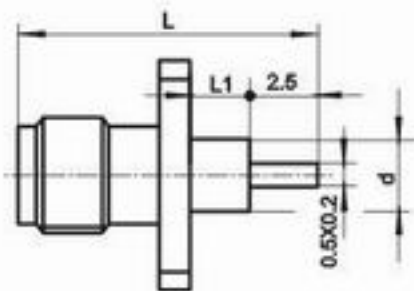
Type	L	L1
SMA-KFD9	14.5	2.4
SMA-KFD10	15.3	3.2
SMA-KFD11	16.9	4.8
SMA-KFD12	16.1	4.0

SMA-KFD9等



Type	L	L1
SMA-KFD87	15.0	3.0

SMA-KFD87



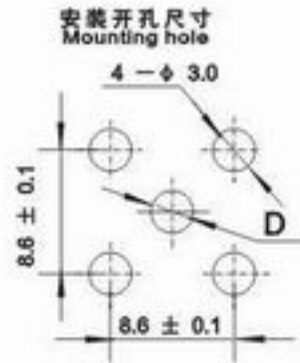
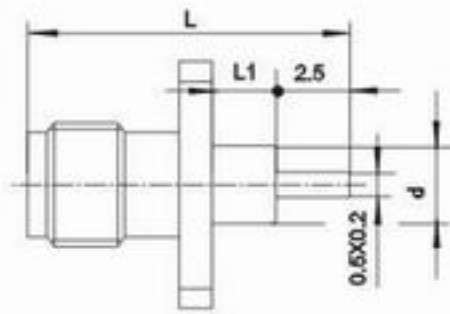
Type	L	L1	d	D
SMA-KFD13	16.0	4.0	Φ4.1	Φ4.2
SMA-KFD14	15.3	3.2	Φ4.1	Φ4.2

SMA-KFD13等

# SMA

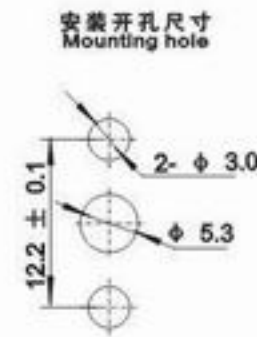
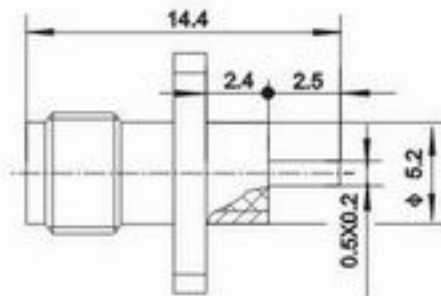
系列射频同轴连接器  
SERIES SMA COAXIAL CONNECTORS

SRT 升瑞科技  
SUNRISE-TECH

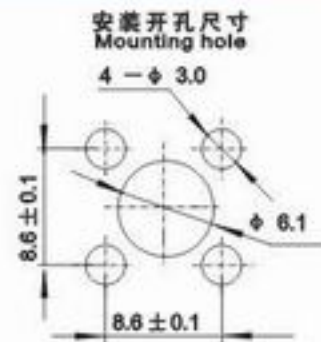
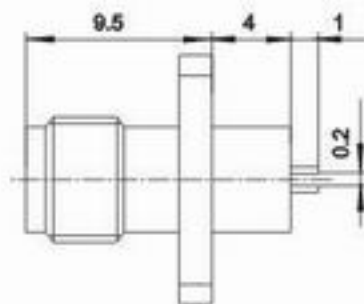


Type	L	L1	d	D
SMA-KFD45	14.4	2.4	Φ4.1	Φ4.2
SMA-KFD68	15.2	3.2	Φ2.1	Φ2.2

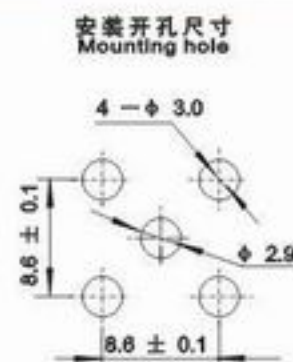
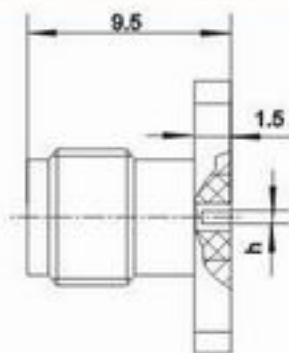
SMA-KFD45等



SMA-KFD31

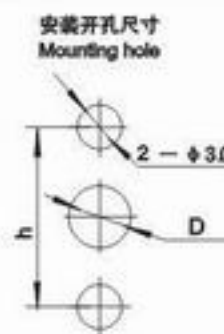
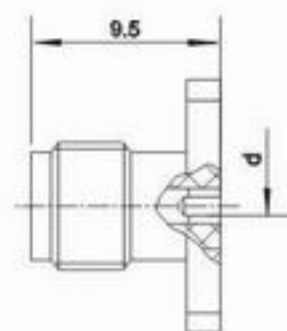


SMA-KFD37



Type	h
SMA-KFD26	0.2
SMA-KFD27	0.4

SMA-KFD26等



Type	h	d	D
SMA-KFD71	12.2 ± 0.1	Φ0.6	Φ2.9
SMA-KFD72	12.2 ± 0.1	Φ0.4	Φ2.9
SMA-KFD72G	12.2 ± 0.1	Φ0.4	Φ2.9
SMA-KFD75	10.2 ± 0.1	Φ0.6	Φ2.9

SMA-KFD71等

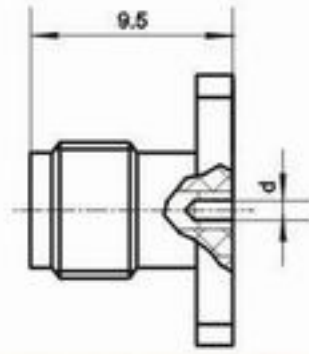
# SMA

系列射频同轴连接器  
SERIES SMA COAXIAL CONNECTORS

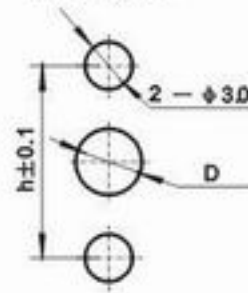
SRT 升瑞科技  
SUNRISE-TECH



SMA-KFD92



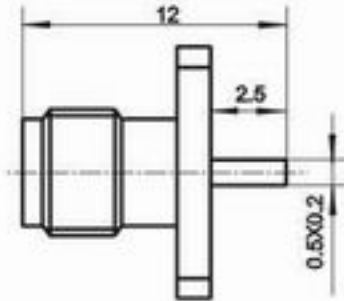
安装开孔尺寸  
Mounting hole



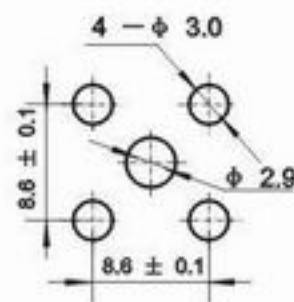
Type	h	d	D
SMA-KFD92	12.2	Φ0.9	Φ2.9
SMA-KFD113	10.2	Φ0.4	Φ2.9



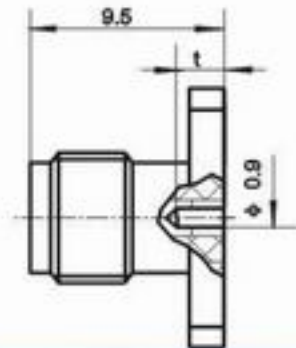
SMA-KFD39



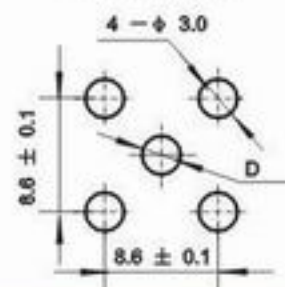
安装开孔尺寸  
Mounting hole



SMA-KFD53



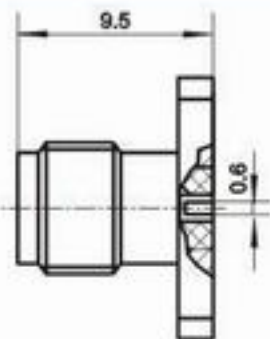
安装开孔尺寸  
Mounting hole



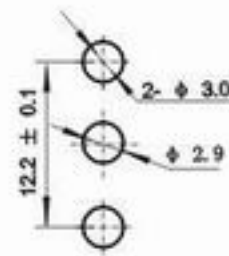
Type	t	D
SMA-KFD53	2.6	Φ2.9



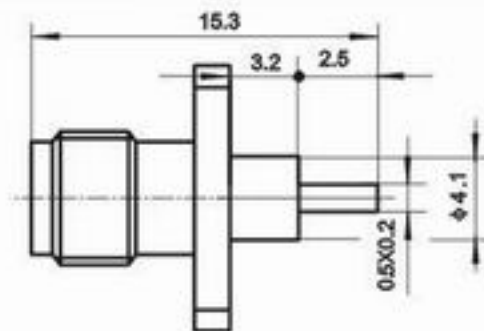
SMA-KFD56



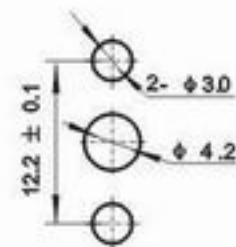
安装开孔尺寸  
Mounting hole



SMA-KFD98



安装开孔尺寸  
Mounting hole



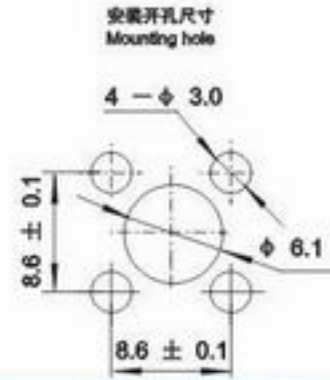
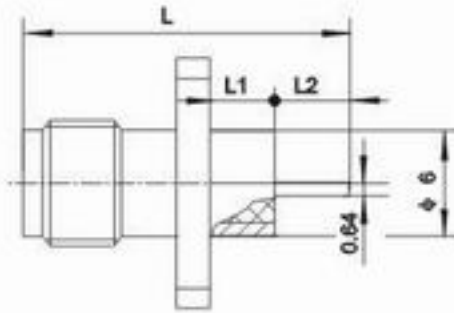
# SMA

系列射频同轴连接器  
SERIES SMA COAXIAL CONNECTORS

SRT 升瑞科技  
SUNRISE-TECH



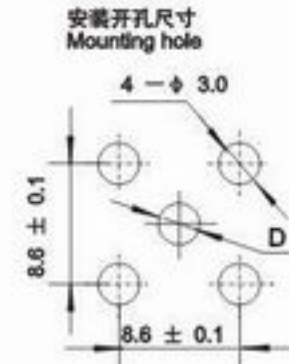
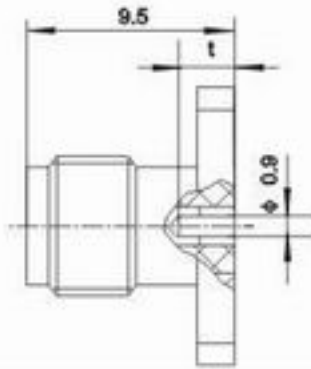
SMA-KFD90



Type	L	L1	L2
SMA-KFD90	15.0	3.0	2.5
SMA-KFD90G	15.0	3.0	2.5



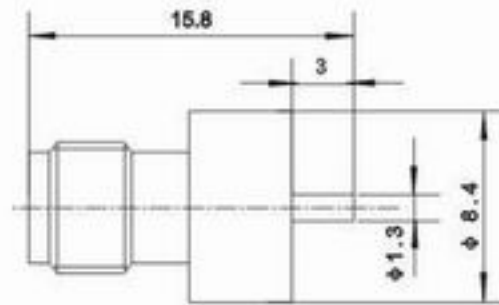
SMA-KFD93



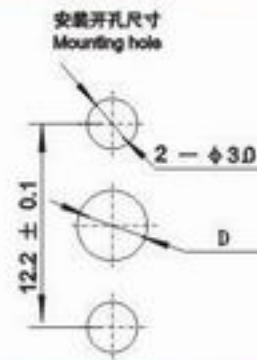
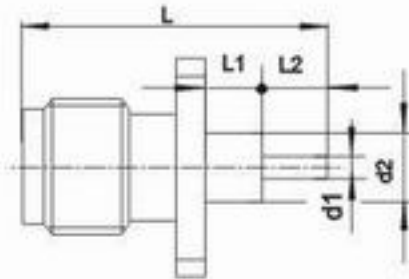
Type	t	D
SMA-KFD93	2.8	2.9



SMA-KFD94



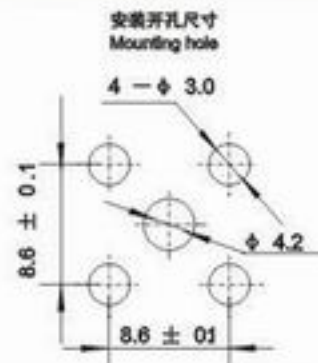
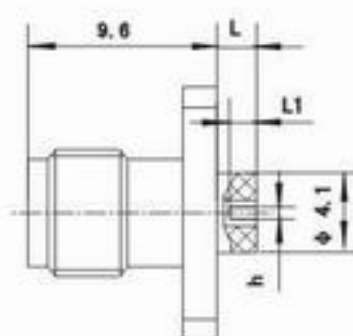
SMA-KFD142等



Type	L	L1	L2	d1	d2	D
SMA-KFD142	17.0	3.0	3.0	1.3	4.1	4.2
SMA-KFD143	25.7	12.2	4.0	1.3	4.1	4.2
SMA-KFD147G	14.7	3.2	2.0	1.3	4.1	4.2
SMA-KFD150	27.5	15.0	3.0	1.3	4.1	4.2
SMA-KFD157	34.5	20.0	5.0	1.3	4.1	4.2



SMA-KFD140



Type	h	L	L1
SMA-KFD140	0.2	2.0	2.0

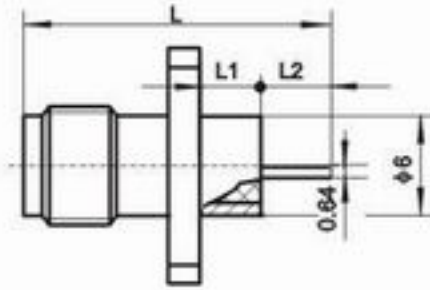
# SMA

系列射频同轴连接器  
SERIES SMA COAXIAL CONNECTORS

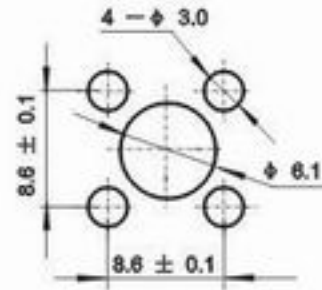
SRT 升瑞科技  
SUNRISE-TECH



SMA-KFD145



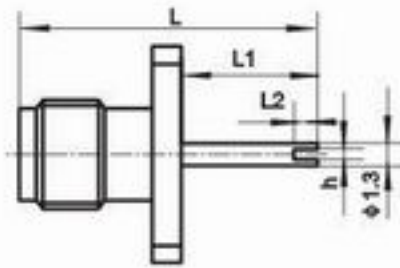
安装开孔尺寸  
Mounting hole



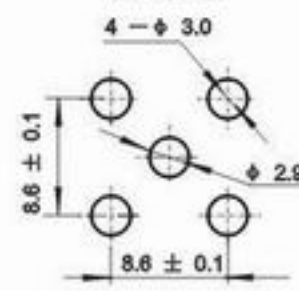
Type	L	L1	L2
SMA-KFD145	15.0	3.0	2.7



SMA-KFD148



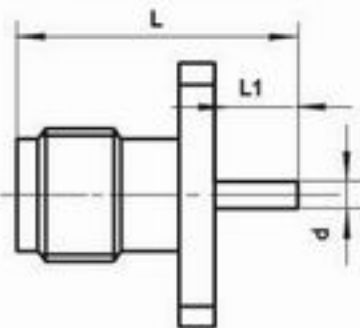
安装开孔尺寸  
Mounting hole



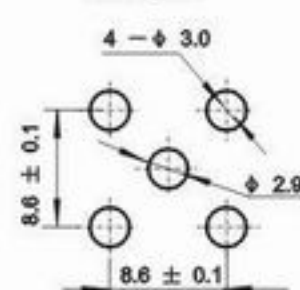
Type	L	L1	L2	h
SMA-KFD148	11.1	1.5	1.0	0.2



SMA-KFD152



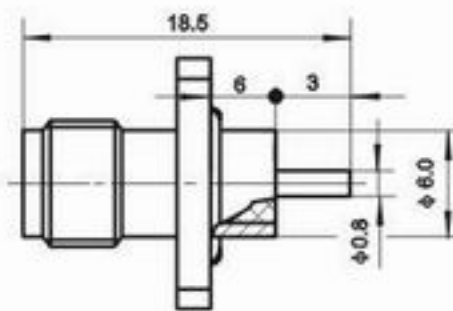
安装开孔尺寸  
Mounting hole



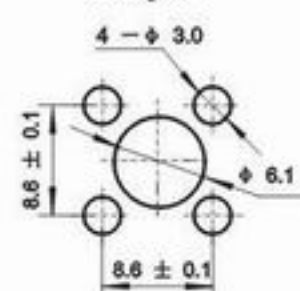
Type	L	L1	d
SMA-KFD152	10.1	0.8	$\phi 1.0$



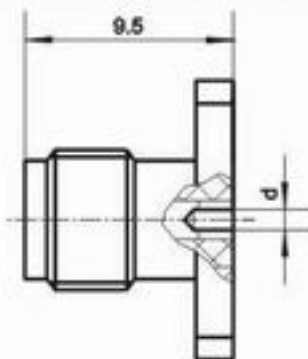
SMA-KFD154



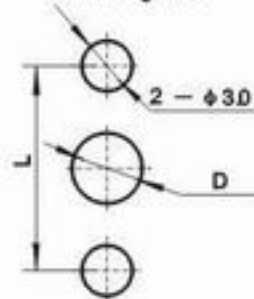
安装开孔尺寸  
Mounting hole



SMA-KFD159等



安装开孔尺寸  
Mounting hole

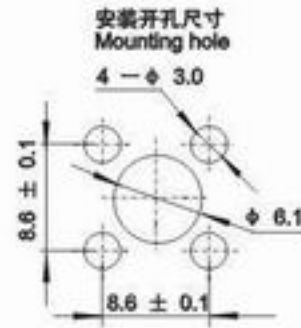
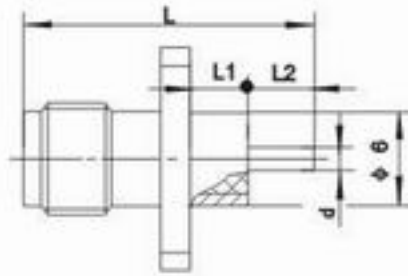


Type	L	d	D
SMA-KFD159	$12.2 \pm 0.1$	$\phi 0.8$	$\phi 2.9$
SMA-KFD159G	$12.2 \pm 0.1$	$\phi 0.8$	$\phi 2.9$

# SMA

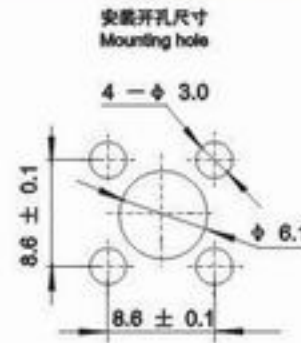
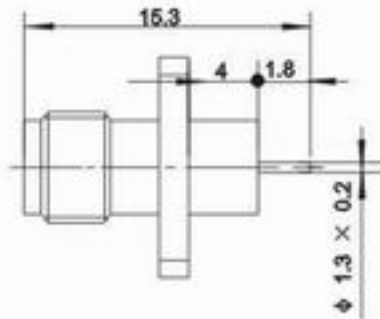
系列射频同轴连接器  
SERIES SMA COAXIAL CONNECTORS

SRT 升瑞科技  
SUNRISE-TECH

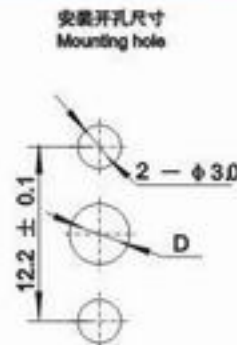
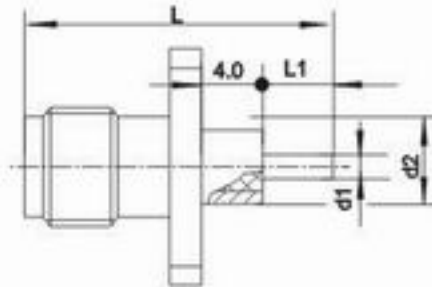


Type	L	L1	L2	d
SMA-KFD160	15.5	4.0	2.0	φ1.0
SMA-KFD161	18.5	4.0	5.0	φ1.0
SMA-KFD162	22.5	4.0	9.0	φ1.0

SMA-KFD160等

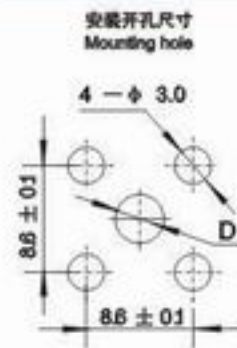
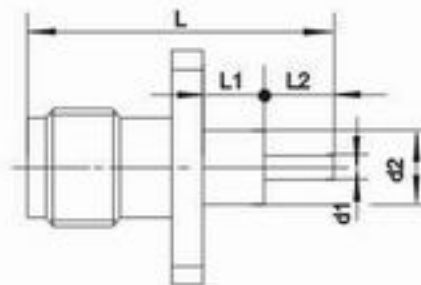


SMA-KFD163



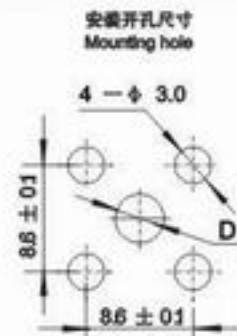
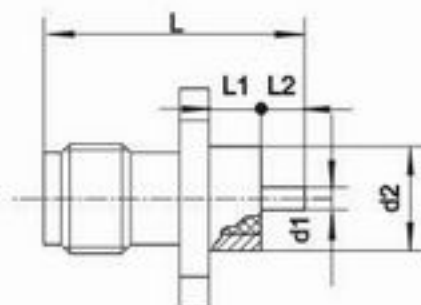
Type	L	L1	L2	d1	d2	D
SMA-KFD164	15.0	1.5	12.2±0.1	φ0.8	φ4.1	φ4.2
SMA-KFD165	15.0	1.5	10.2±0.1	φ0.8	φ4.1	φ4.2
SMA-KFD166	14.3	0.8	12.2±0.1	φ0.8	φ4.1	φ4.2

SMA-KFD164 等



Type	L	L1	L2	d1	d2	D
SMA-KFD177	20.5	8.0	3.0	φ1.3	φ4.1	φ4.2
SMA-KFD178	18.7	5.0	4.2	φ1.3	φ4.1	φ4.2

SMA-KFD177 等



Type	L	L1	L2	d1	d2	D
SMA-KFD179	15.5	3.0	3.0	φ1.3	φ6.0	φ6.1
SMA-KFD194	18.5	4.0	5.0	φ1.3	φ6.0	φ6.1
SMA-KFD198	15.6	4.0	2.0	φ0.8	φ4.8	φ4.9
SMA-KFD199	14.4	2.4	2.5	φ0.5	φ5.2	φ5.3
SMA-KFD202	14.3	4.0	0.8	φ0.8	φ4.0	φ4.1

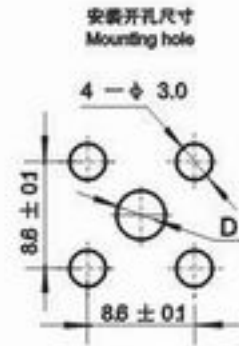
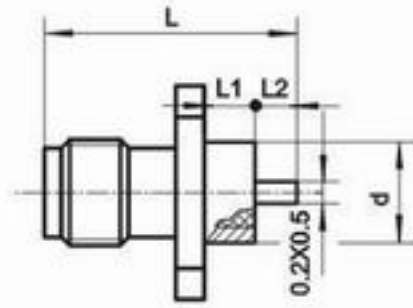
SMA-KFD179 等



# SMA

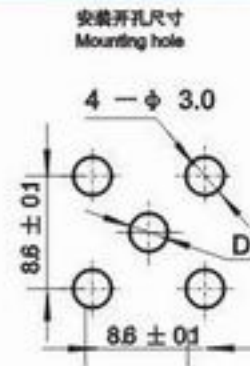
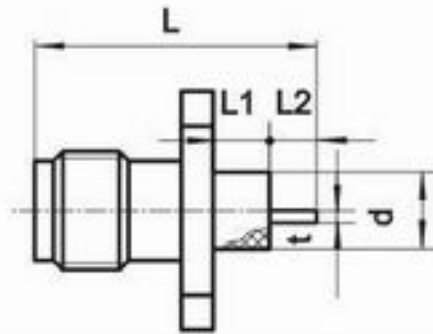
系列射频同轴连接器  
SERIES SMA COAXIAL CONNECTORS

SRT 升瑞科技  
SUNRISE-TECH



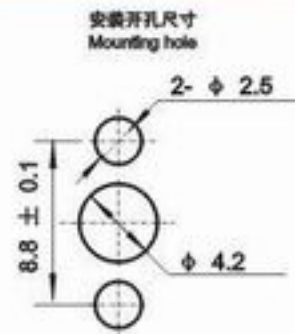
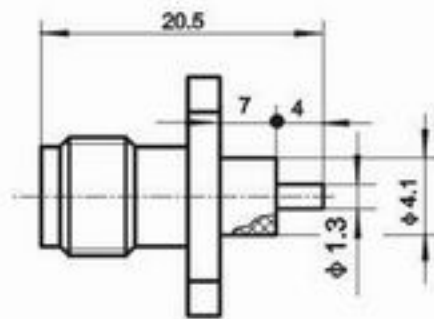
Type	L	L1	L2	d	D
SMA-KFD181	17.0	5.0	2.5	φ6	φ6.1
SMA-KFD181G	17.0	5.0	2.5	φ6	φ6.1
SMA-KFD208G	21.2	6.6	6.6	φ6	φ6.1

SMA-KFD181 等

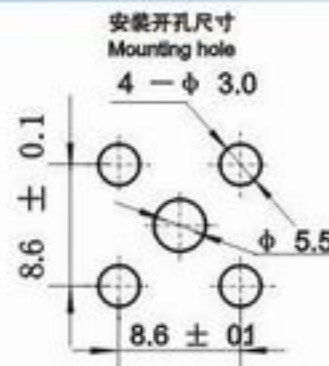
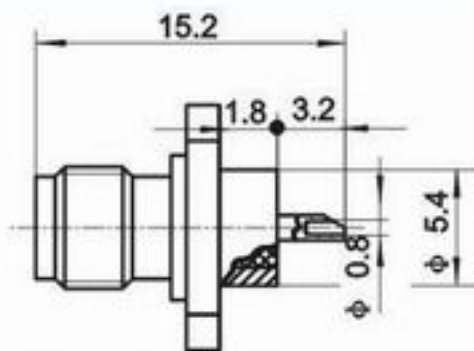


Type	L	L1	L2	t	d	D
SMA-KFD182	15.2	3.2	2.5	0.5	φ2.1	φ2.2
SMA-KFD200	13.2	1.5	2.5	0.65	φ4.1	φ4.2

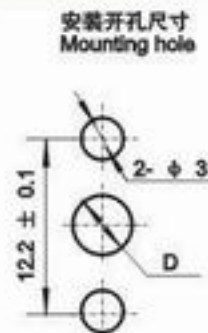
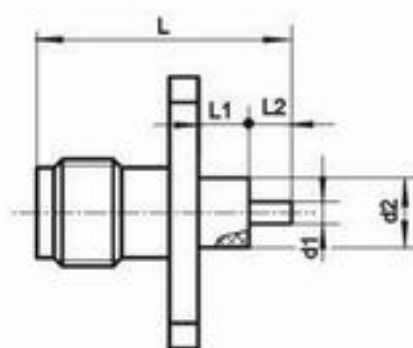
SMA-KFD182等



SMA-KFD185



SMA-KFD188



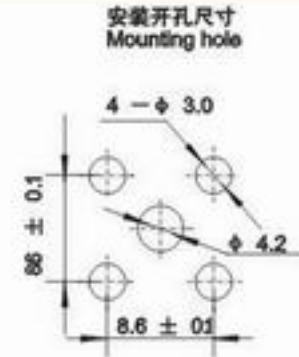
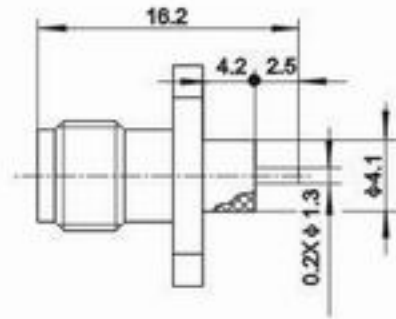
Type	L	L1	L2	d1	d2	D
SMA-KFD189	17.5	6.0	2.0	φ1.3	φ 4.1	φ 4.2
SMA-KFD203	21.5	4.0	8.0	φ1.3	φ 4.1	φ 4.2
SMA-KFD5A	15.5	4.0	2.0	φ1.3	φ 4.1	φ 4.2
SMA-KFD205	81	62	9.5	φ1.3	φ 4.1	φ 4.2

SMA-KFD189 等

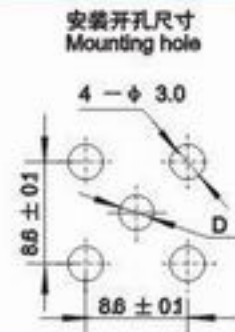
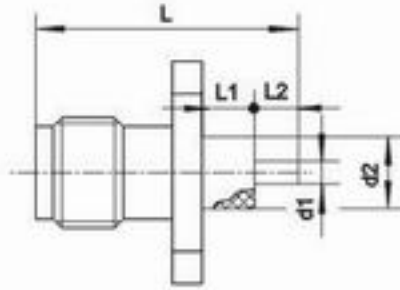
# SMA

系列射频同轴连接器  
SERIES SMA COAXIAL CONNECTORS

SRT 升瑞科技  
SUNRISE-TECH

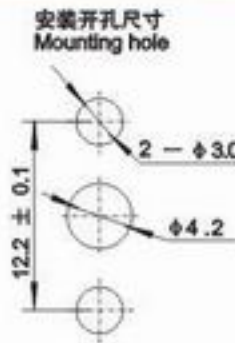
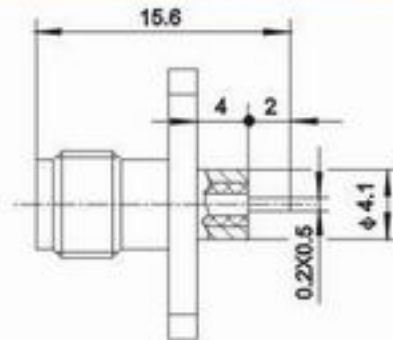


SMA-KFD195

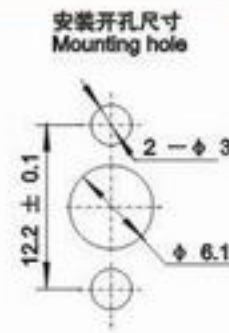
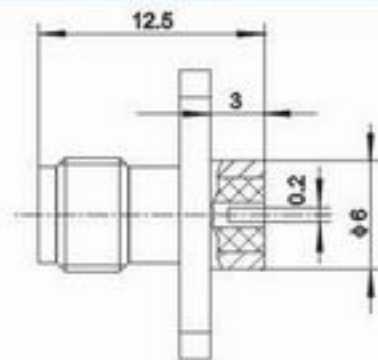


Type	L	L1	L2	d1	d2	D
SMA-KFD197	23.5	12	2.0	phi 1.3	phi 4.1	phi 4.2
SMA-KFD201	24	9	5.5	phi 1.3	phi 4.1	phi 4.2

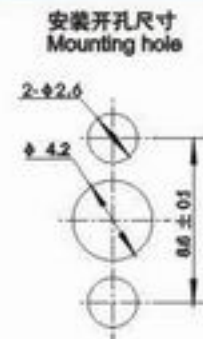
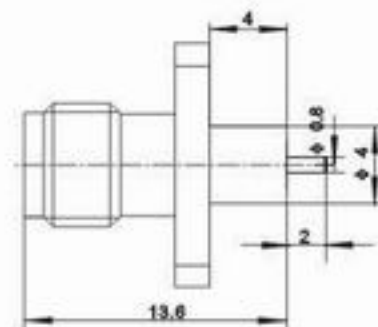
SMA-KFD197 等



SMA-KFD204



SMA-KFD208



SMA-KFD13A

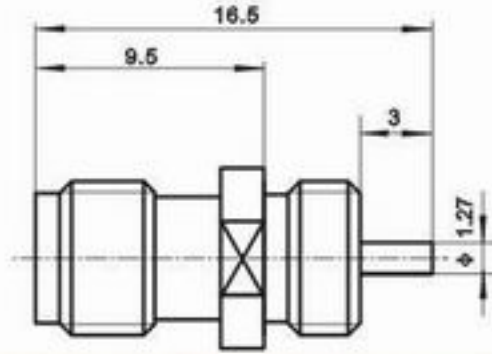
# SMA

系列射频同轴连接器  
SERIES SMA COAXIAL CONNECTORS

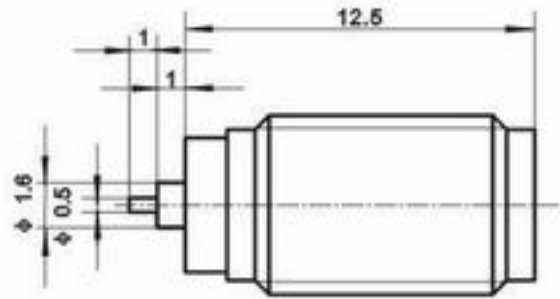
SRT 升瑞科技  
SUNRISE-TECH



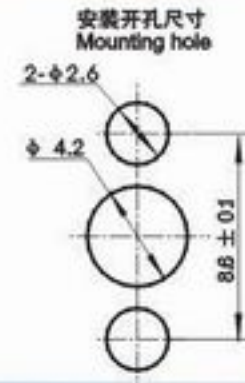
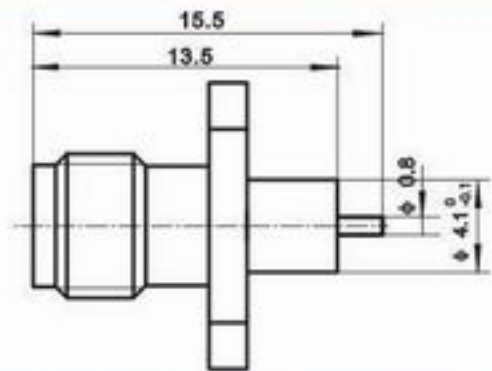
SMA-KD1



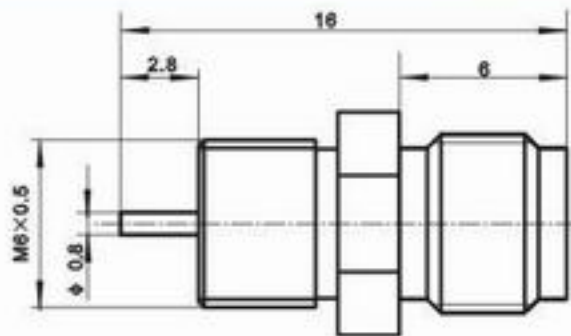
SMA-KD2



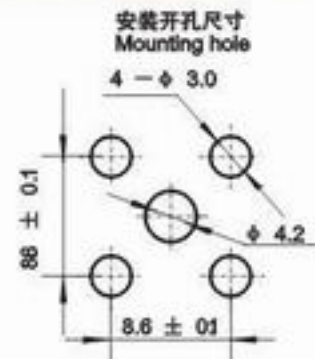
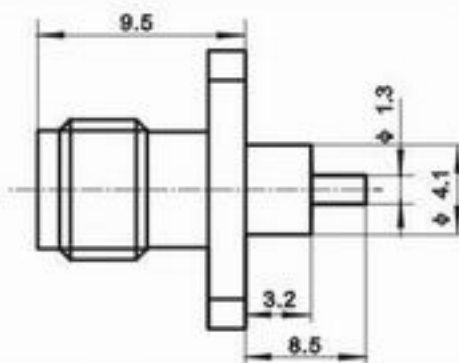
SMA-KFD9A



SMA-KFD-2



SMA-KFDA等

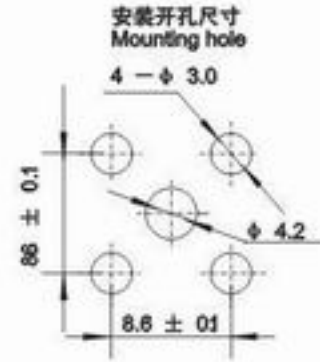
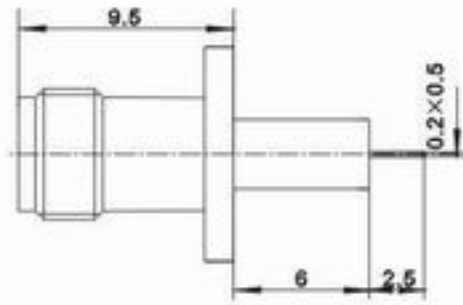


Type	L1	L2
SMA-KFDA	8.5	3.2
SMA-KFDB	8.0	3.0
SMA-KFDC	6.5	3.0

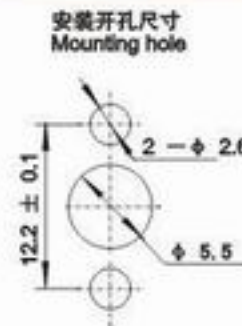
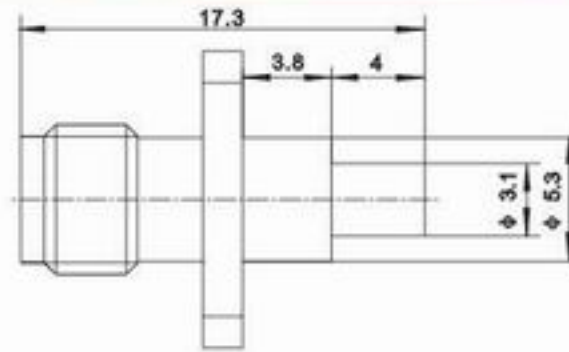
# SMA

系列射频同轴连接器  
SERIES SMA COAXIAL CONNECTORS

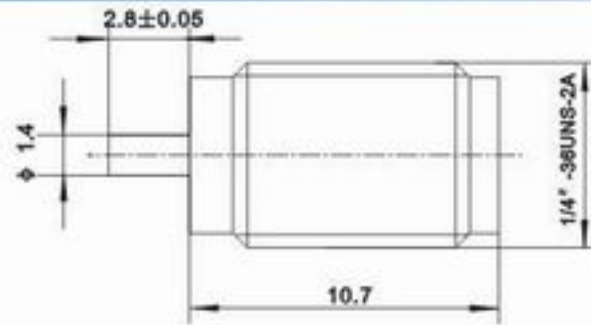
SRT 升瑞科技  
SUNRISE-TECH



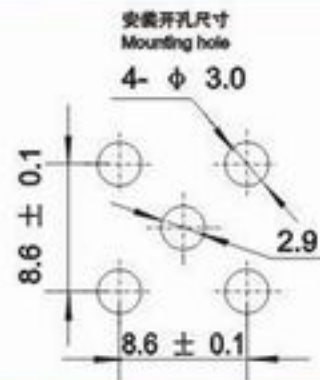
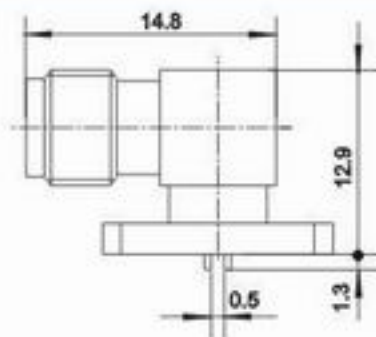
SMA-KFD13B



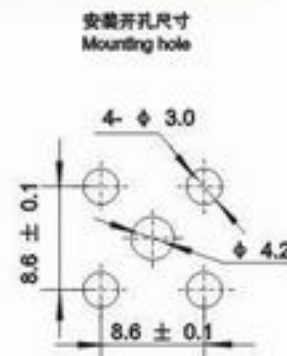
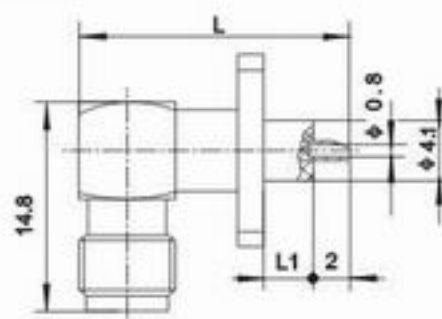
SMA-KFB2E



SMA-KY



SMA-KWFD



Type	L	L1
SMA-KWFD1	18.9	4
SMA-KWFD7	20.5	6.8

SMA-KWFD1 等

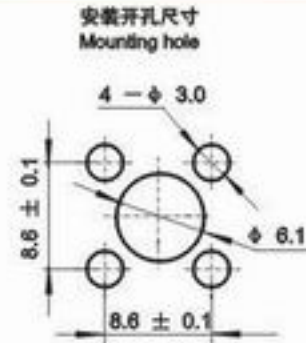
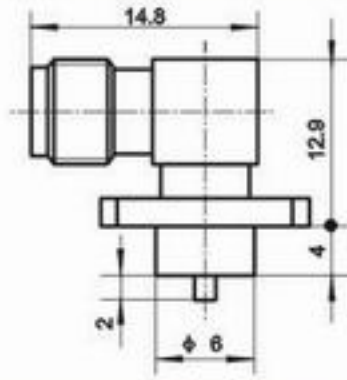
# SMA

系列射频同轴连接器  
SERIES SMA COAXIAL CONNECTORS

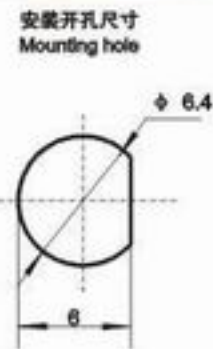
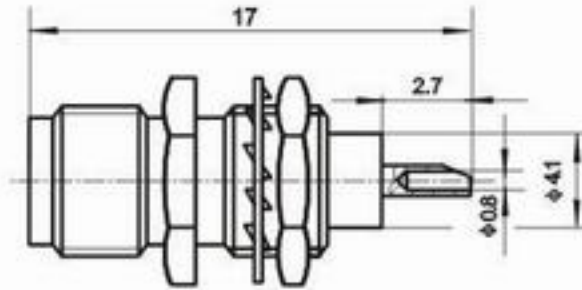
SRT 升瑞科技  
SUNRISE-TECH



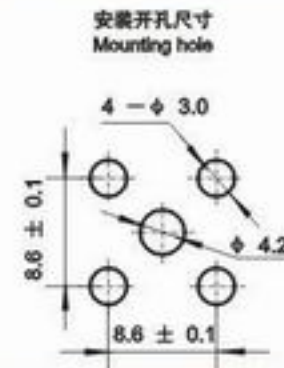
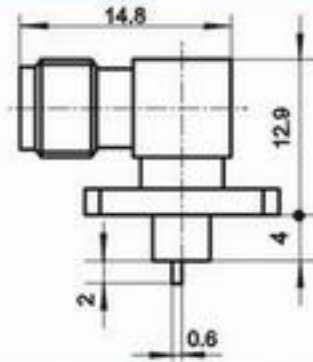
SMA-KWFD2



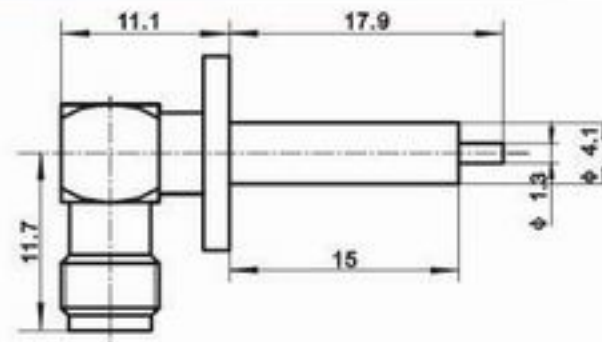
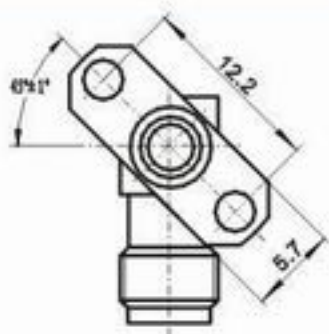
SMA-KYD



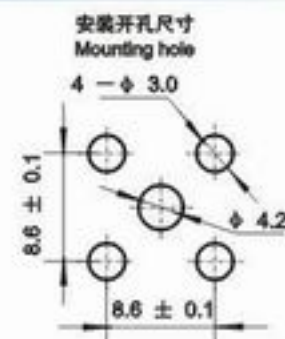
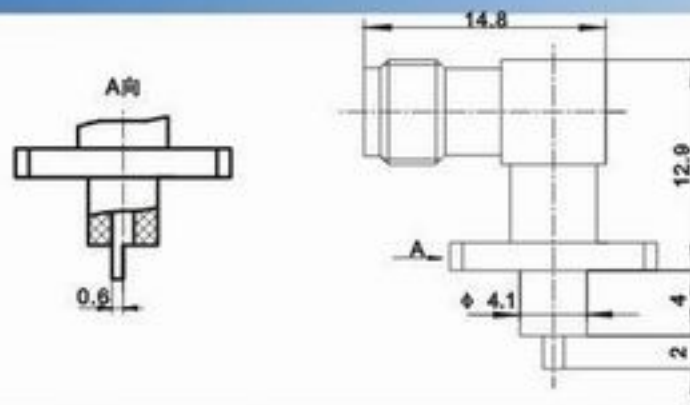
SMA-KWFD3



SMA-KWFD8



SMA-KWFD25



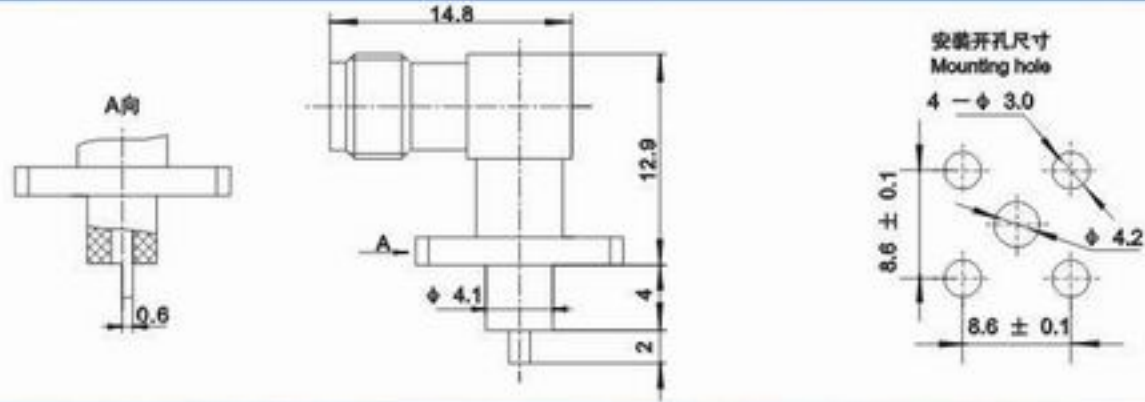
# SMA

系列射频同轴连接器  
SERIES SMA COAXIAL CONNECTORS

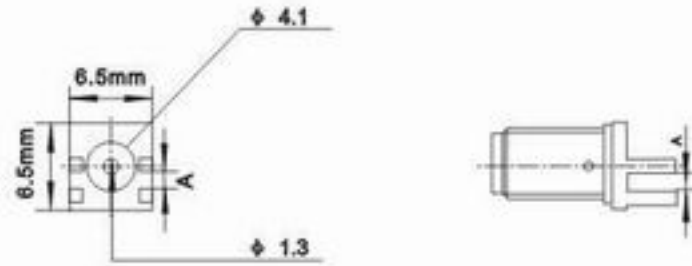
SRT 升瑞科技  
SUNRISE-TECH



SMA-KWFD26



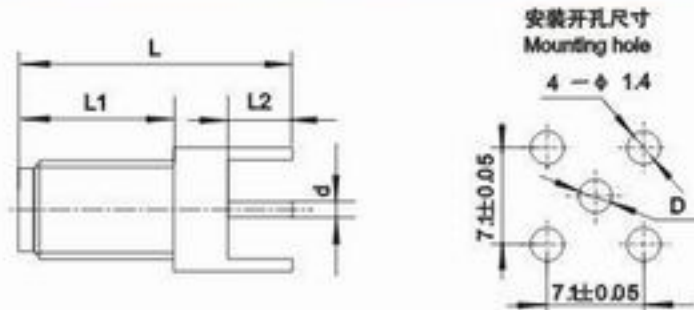
SMA-KHD0.8等



Type	A
SMA-KHD0.8	0.8 <sup>+0.02</sup> <sub>0</sub>
SMA-KHD1.0	1.0 <sup>+0.02</sup> <sub>0</sub>
SMA-KHD1.1	1.1 <sup>+0.02</sup> <sub>0</sub>
SMA-KHD1.5	1.5 <sup>+0.02</sup> <sub>0</sub>
SMA-KHD1.6	1.6 <sup>+0.02</sup> <sub>0</sub>



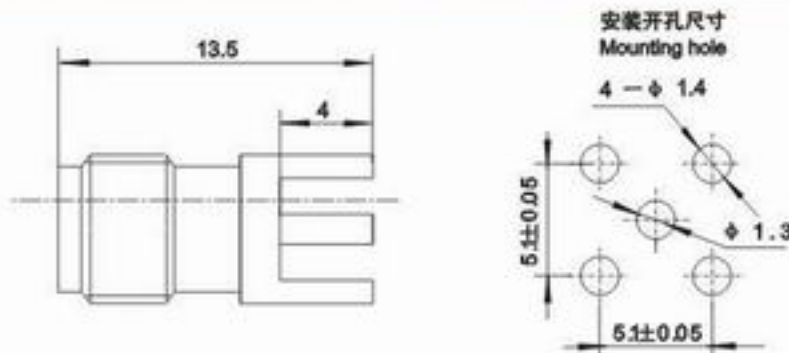
SMA-KHD1等



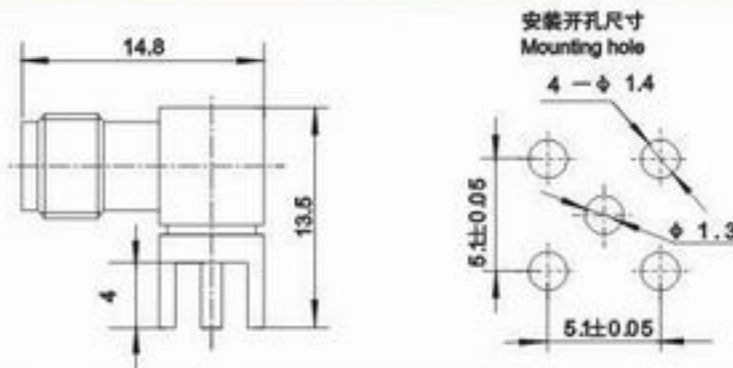
Type	L	L1	L2	d	D
SMA-KHD1	17.7	10.0	4.2	φ1.0	φ1.1
SMA-KHD2	34.0	11.0	3.0	φ0.8	φ0.9
SMA-KHD3	29.0	11.0	3.0	φ0.8	φ0.9



SMA-KHD



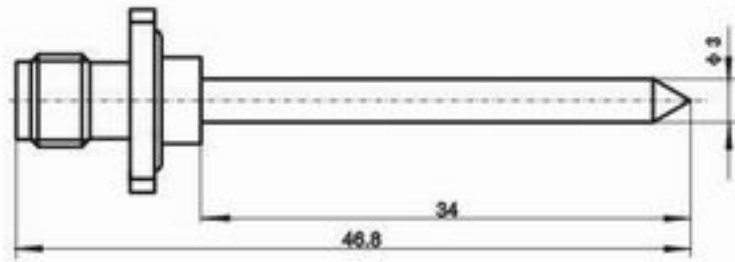
SMA-KWHD



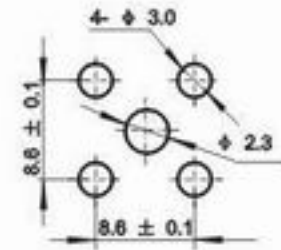
# SMA

系列射频同轴连接器  
SERIES SMA COAXIAL CONNECTORS

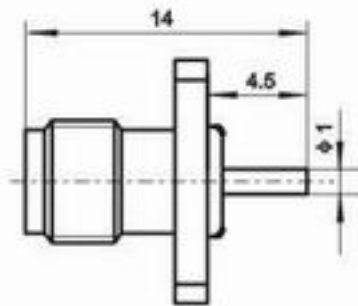
SRT 升瑞科技  
SUNRISE-TECH



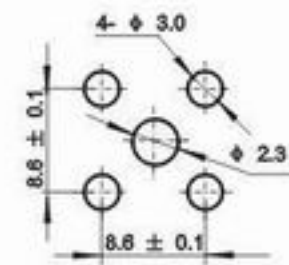
安装开孔尺寸  
Mounting hole



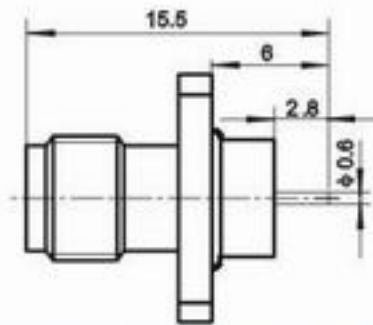
SMA(M)-KFD5



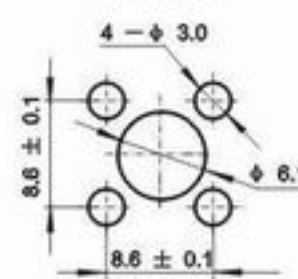
安装开孔尺寸  
Mounting hole



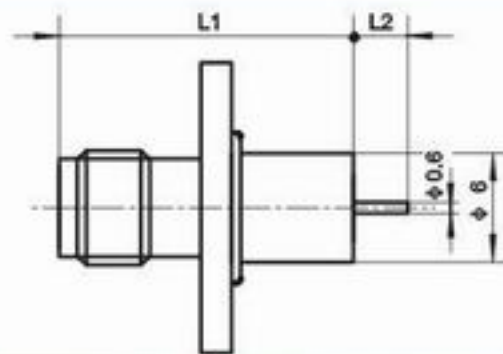
SMA(M)-KFD (气密封)



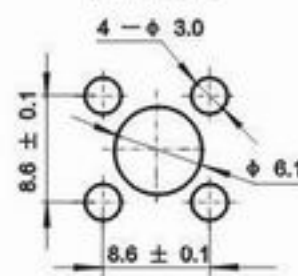
安装开孔尺寸  
Mounting hole



SMA(M)-KFD1 (水密封)  
SMA(M)-KFD2 (水密封)

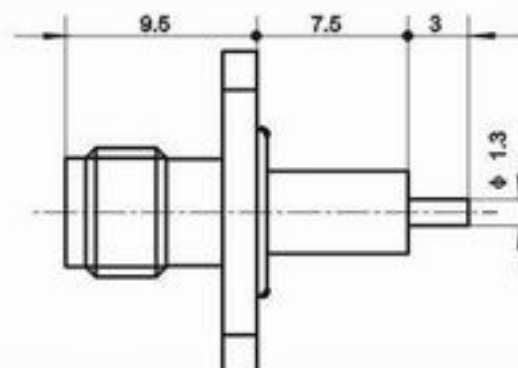


安装开孔尺寸  
Mounting hole

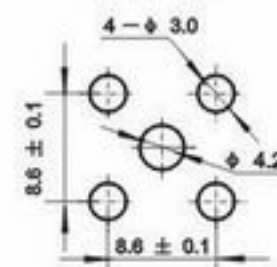


Type	L1	L2
SMA(M)-KFD14	15.6	1.8
SMA(M)-KFD3	16.2	3
SMA(M)-KFD7	18.8	2.8

SMA (M) -KFD14等 (气密封)



安装开孔尺寸  
Mounting hole



SMA(M)-KFD9 (水密封)

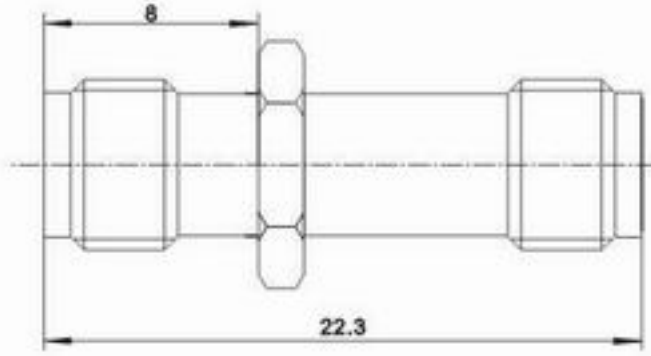
# SMA

系列射频同轴连接器  
SERIES SMA COAXIAL CONNECTORS

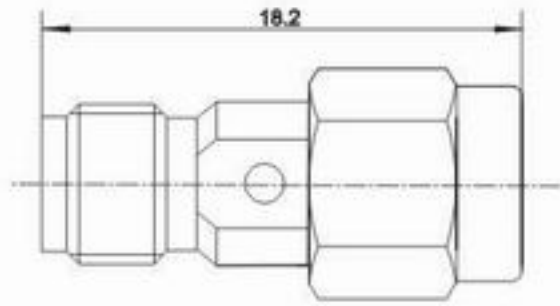
SRT 升瑞科技  
SUNRISE-TECH



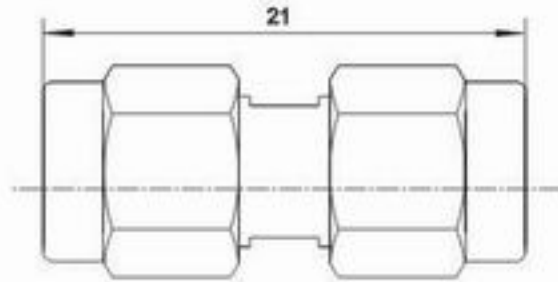
SMA-KK2



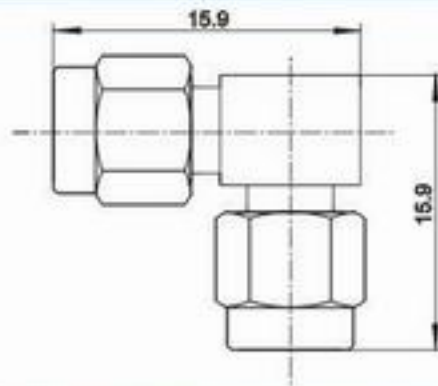
SMA-JK



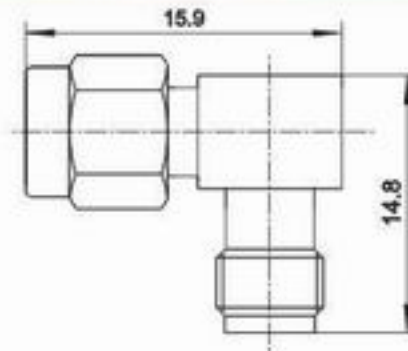
SMA-JJ



SMA-JWJ



SMA-JWK

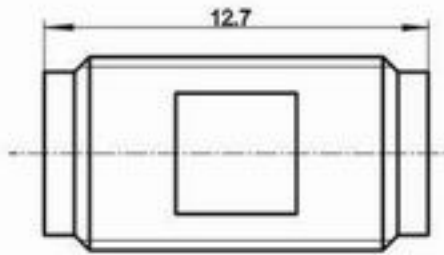




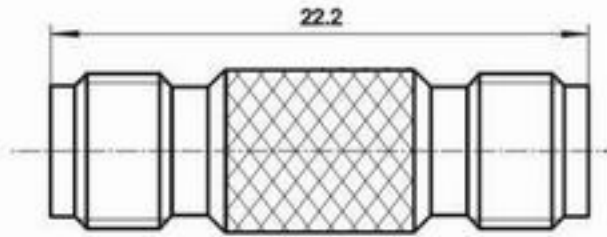
# SMA

系列射频同轴连接器  
SERIES SMA COAXIAL CONNECTORS

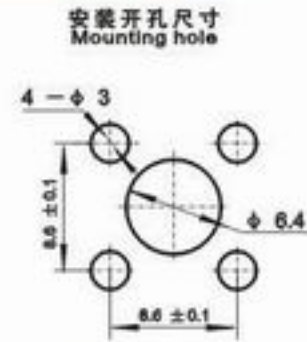
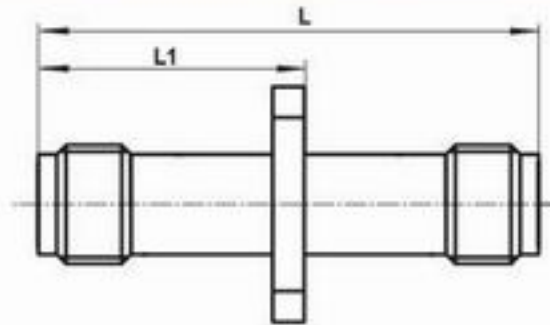
SRT 升瑞科技  
SUNRISE-TECH



SMA-KK

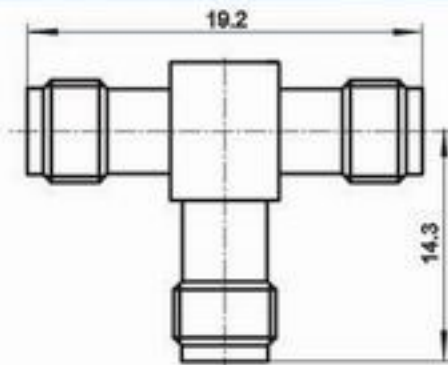


SMA-KK1

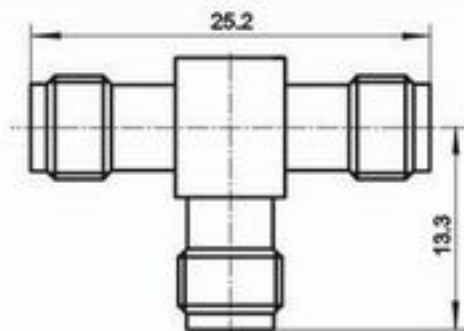


Type	L	L1
SMA-KFK	27	14.35
SMA-KFK-1	19.5	10.6
SMA-KFK-2	16	8.9
SMA-KFK-3	21	14.3

SMA-KFK 等



SMA-KKK

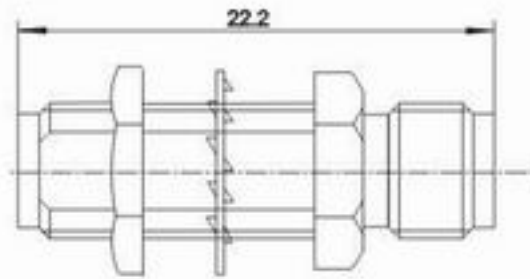


SMA-KKK1

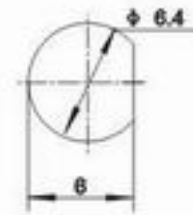
# SMA

系列射频同轴连接器  
SERIES SMA COAXIAL CONNECTORS

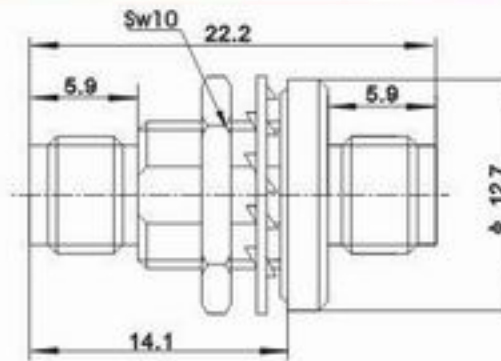
SRT 升瑞科技  
SUNRISE-TECH



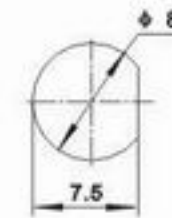
安装开孔尺寸  
Mounting hole



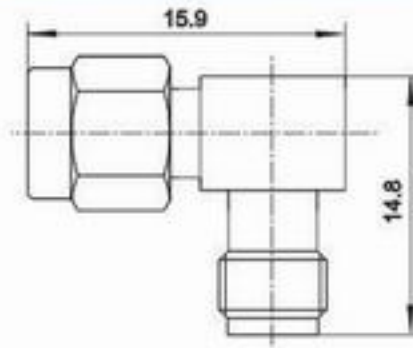
SMA-KYK



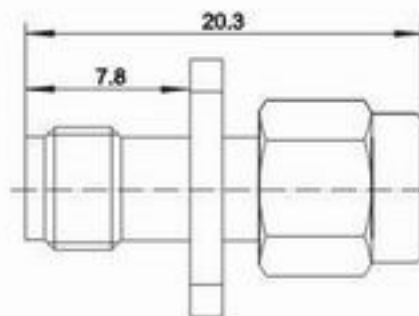
安装开孔尺寸  
Mounting hole



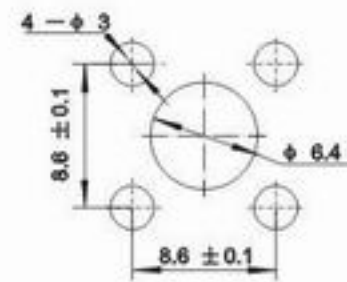
SMA-KKY-1



SMA-JWK



安装开孔尺寸  
Mounting hole

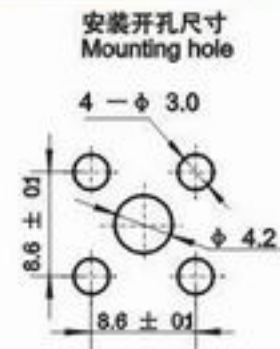
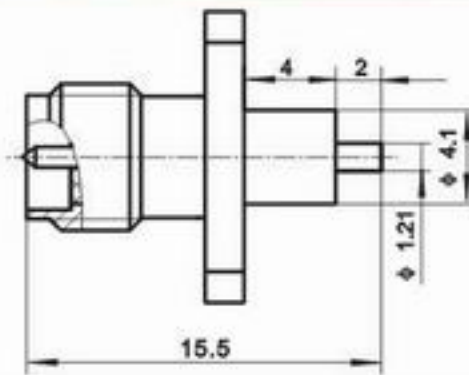


SMA-KFJ

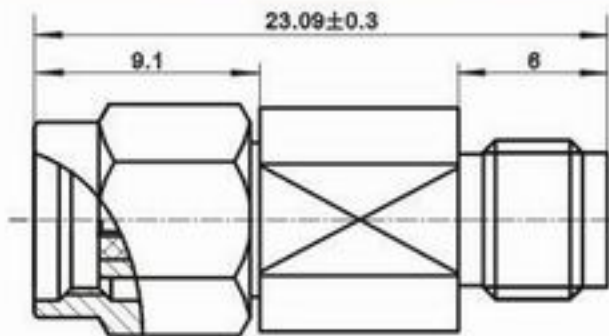
SMA反极性系列产品是根据射频系统制造商的需要研制生产的，具有SMA标准系列的优良特性。其特性的阻抗为50Ω，使用频率范围0~18GHZ，



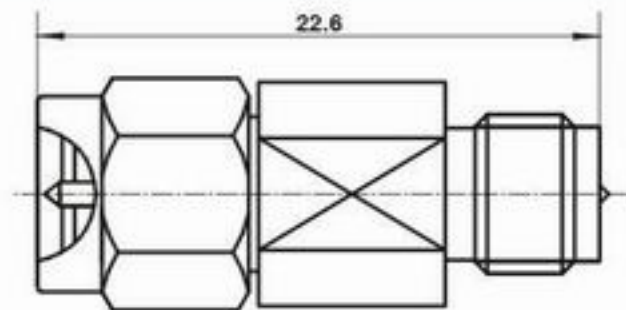
SMA-FKFD5



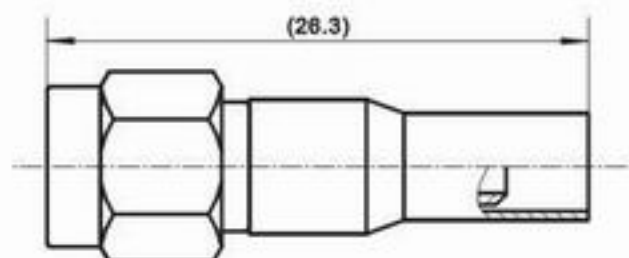
SMA-FKK



SMA-FJJ

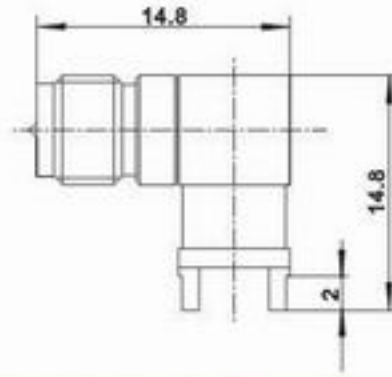


SMA-FK2





SMA-FKWFD



安装开孔尺寸  
Mounting hole

