

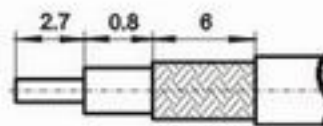
SAA

系列射频同轴连接器
SERIES SAA COAXIAL CONNECTORS

SRT 升瑞科技
SUNRISE-TECH

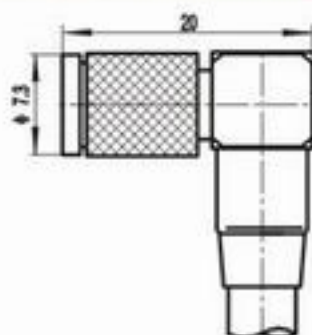


电缆剥线尺寸
Cable stripping dimensions

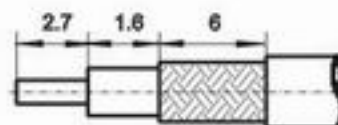


Type	Cable type
SAA-J4	SYV-50-2-2 SFF-50-2-2
SAA-J12	SYV-75-3
SAA-J3	SYV-50-2-1, SFF-50-1.5-1
SAA-JRG142	RG-142B/U

SAA-J3等

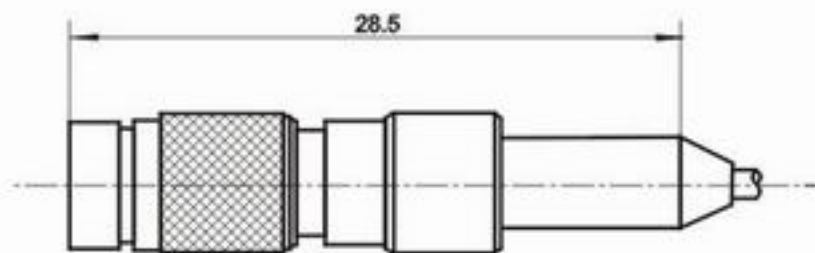


电缆剥线尺寸
Cable stripping dimensions

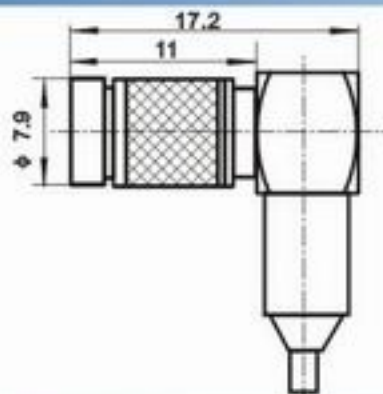


Type	Cable type
SAA-JW12	SYV-75-3
SAA-JW3	SYV-50-2-1, SFF-50-1.5-1

SAA-JW3等

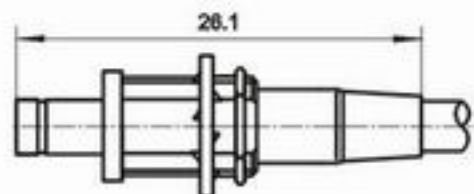


SAA-J12

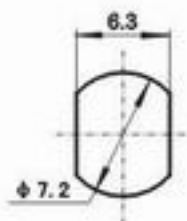


Type	Cable type
SAA-JW3	SYV-50-2-1, SFF-50-1.5-1
SAA-JW12	SYV-75-3

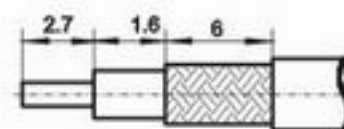
SAA-JW12



安装开孔尺寸
Mounting hole



电缆剥线尺寸
Cable stripping dimensions



Type	Cable type
SAA-KY3	SYV-50-2-1, SFF-50-1.5-1

SAA-KY3

SAA

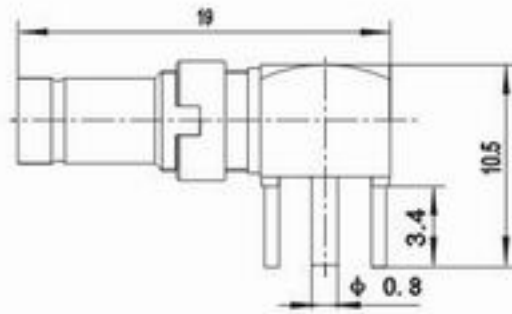
系列射频同轴连接器
SERIES SAA COAXIAL CONNECTORS

SRT

升瑞科技
SUNRISE-TECH



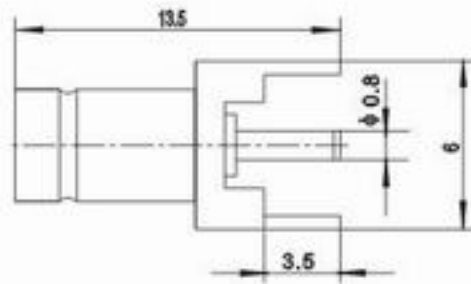
SAA-KYWHD



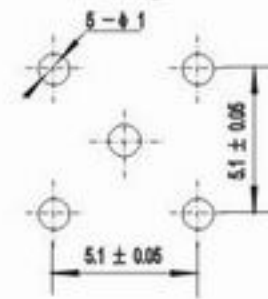
安装开孔尺寸
Mounting hole



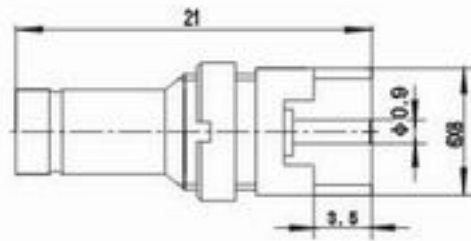
SAA-KHD



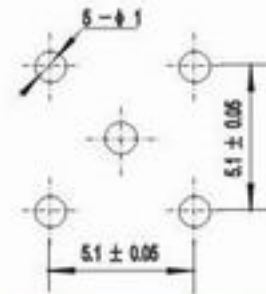
安装开孔尺寸
Mounting hole



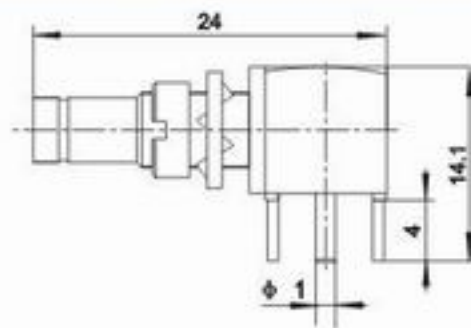
SAA-KYHD



安装开孔尺寸
Mounting hole



SAA-KYWHD1



安装开孔尺寸
Mounting hole

